

INSTALLATIONSVEJLEDNING
MONTAGEANWEISUNG
INSTALLATION INSTRUCTION
INSTRUCTIONS D'INSTALLATION
INSTALLATIE INSTRUCTIES
ISTRUZIONI DI INSTALLAZIONE
INSTRUCCIONES DE INSTALACIÓN

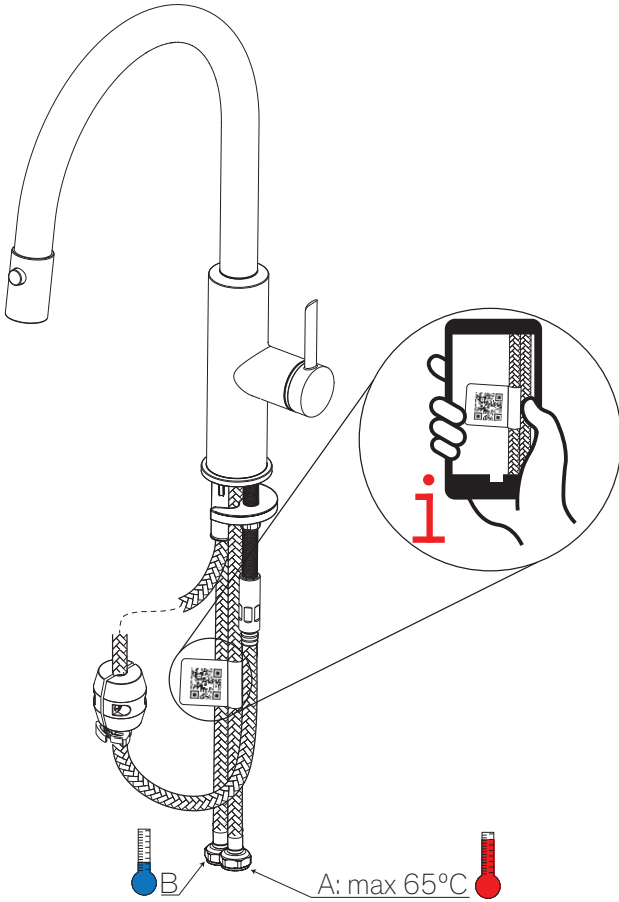
damixa

FM Mattsson Mora Group Danmark

Hvidkærvej 48, 5250 Odense SV
 Abildager 26a, 2605 Brøndby
 Tlf. +45 88 33 00 34
 damixa-international@fmmattssongroup.com
 www.damixa.com

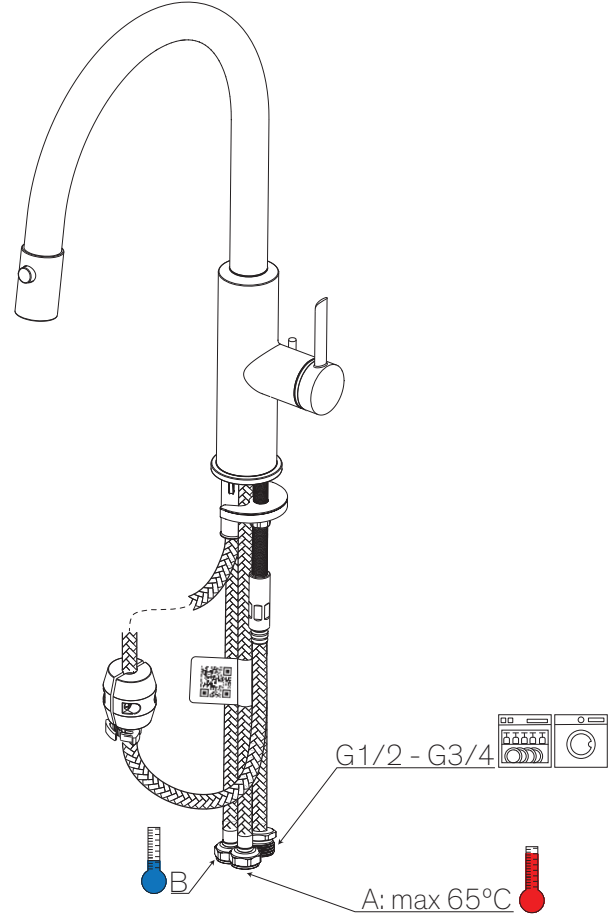
Rev. 000
 30/06/2025
 2041100

A: Without dishwasher shut-off valve

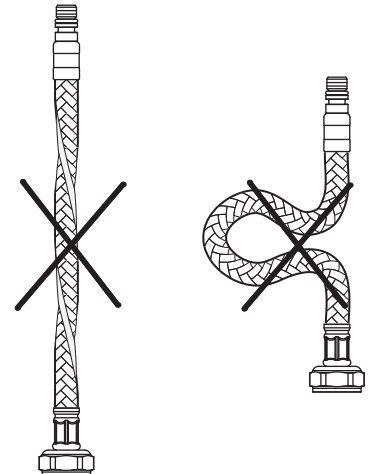
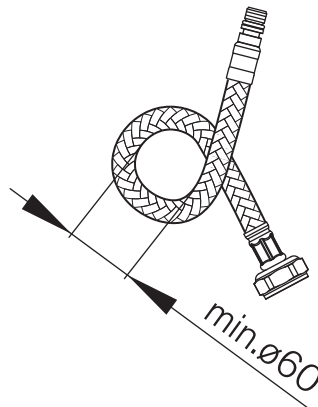
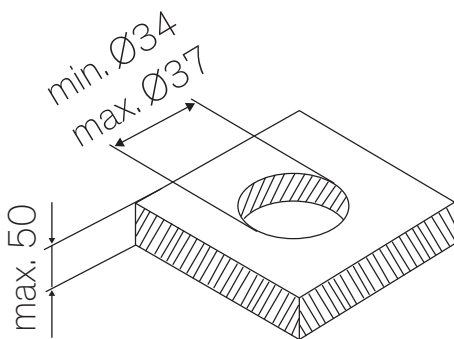


A A,B: 50-1000 kPa (0.5-10 bar)

B: With dishwasher shut-off valve



B A,B: 50-1000 kPa (0.5-10 bar)



C