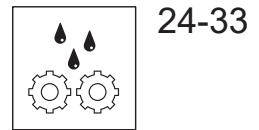
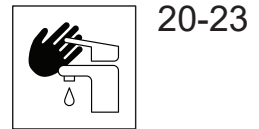




Oras

Installation and maintenance guide



Apple and the Apple logo are trademarks of Apple Inc., registered in the U.S. and other countries. App Store is a service mark of Apple Inc., registered in the U.S. and other countries.

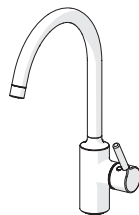
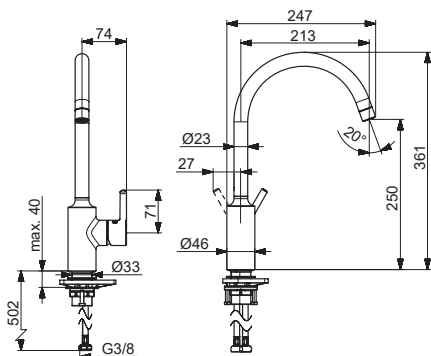
Google Play and the Google Play logo are trademarks of Google Inc.

The Bluetooth® word mark and logos are registered trademarks owned by the Bluetooth SIG, Inc. and any use of such marks by Oras Group is under license. Other trademarks and trade names are those of their respective owners.



2638AF

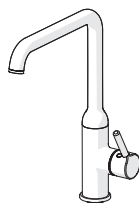
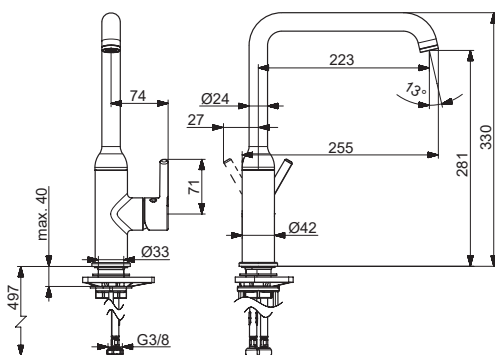
I (ISO 3822)
 EN 817
 50 - 1000 kPa
 0.13 l/s (Eco-flow at 300 kPa)
 0.18 (300 kPa (with flow controller))
 max. +70°C



mpi.oras.com/2638AF

2638FH

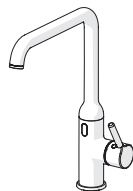
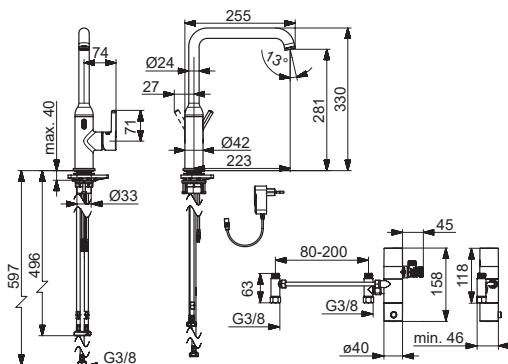
I (ISO 3822)
 EN 817
 50 - 1000 kPa
 0.14 l/s (Eco-flow at 300 kPa)
 0.17 (300 kPa (with flow controller))
 max. +70°C



mpi.oras.com/2638FH

2638FHTZ

I (ISO 3822)
 EN 817, EN 15091
 50 - 1000 kPa
 0.15 l/s (Eco-flow at 300 kPa)
 0.18 (300 kPa (with flow controller))
 max. +70°C

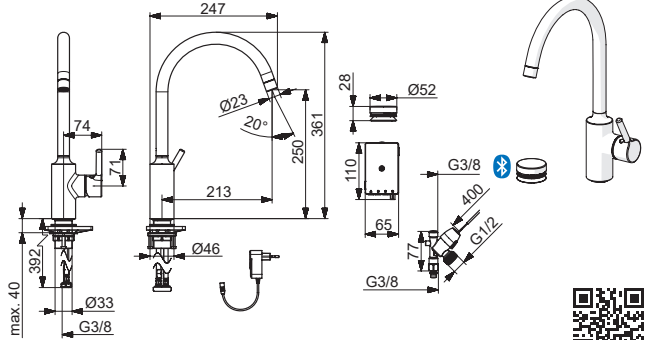


mpi.oras.com/2638FHTZ

2639AF

I (ISO 3822)
 EN 817
 50 - 1000 kPa
 0.13 l/s (Eco-flow at 300 kPa)
 0.18 (300 kPa (with flow controller))
 max. +70°C

230/ 9V
 IP54
 CR 2450 3 V

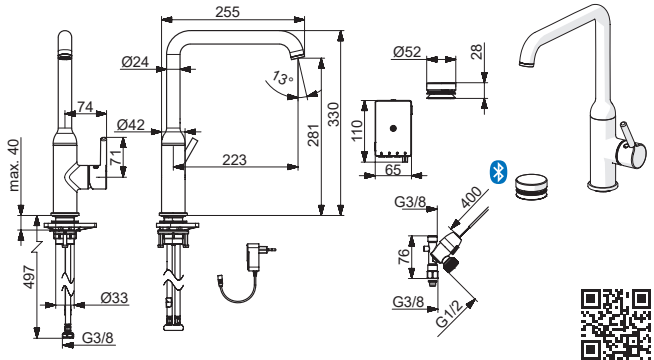


mpi.oras.com/2639AF

2639FH

II (ISO 3822)
 EN 817
 50 - 1000 kPa
 0.13 l/s (Eco-flow at 300 kPa)
 0.18 (300 kPa (with flow controller))
 max. +70°C

230/ 9V
 IP54
 CR 2450 3 V

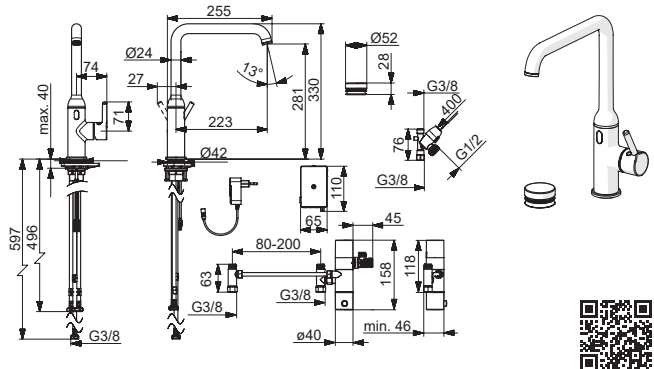


mpi.oras.com/2639FH

2639FHTZ

II (ISO 3822)
 EN 817, EN 15091
 50 - 1000 kPa
 0.15 l/s (Eco-flow at 300 kPa)
 0.18 (300 kPa (with flow controller))
 max. +70°C

230/ 9V
 IP 55
 CR 2450 3 V

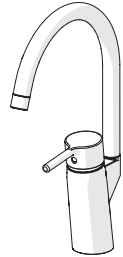
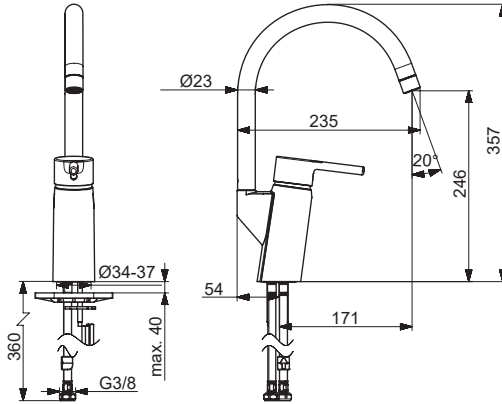


mpi.oras.com/2639FHTZ



2838FN

I (ISO 3822)
EN 817
50 - 1000 kPa
0.18 (300 kPa)
max. +70°C

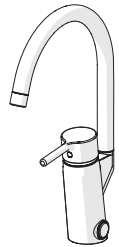
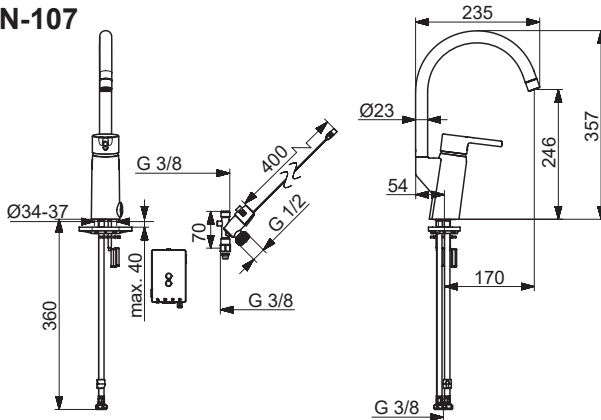


mpi.oras.com/2838FN

2839FN, 2839FN-107

I (ISO 3822)
EN 817
50 - 1000 kPa
0.18 (300 kPa)
max. +70°C

3 V
IP55
2 x 1.5 AA Lithium

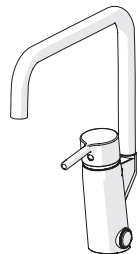
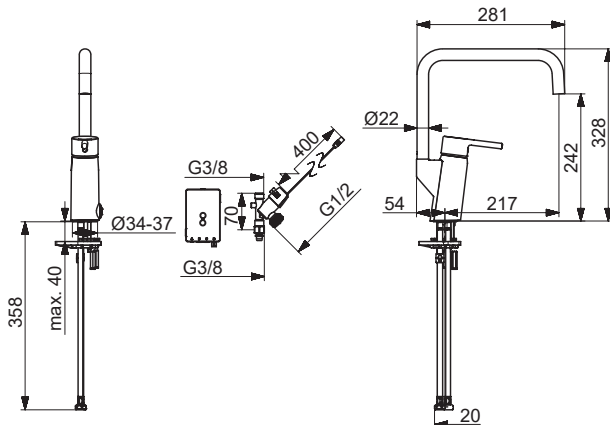


mpi.oras.com/2839FN

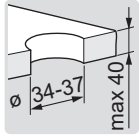
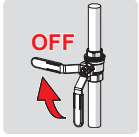
2734FHN

I (ISO 3822)
EN 817
50 - 1000 kPa
0.18 (300 kPa)
max. +70°C

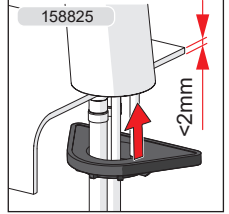
3 V
IP 55
2 x 1.5 AA Lithium



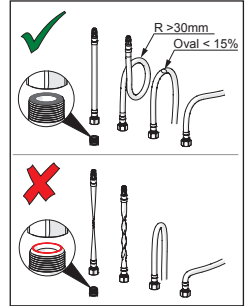
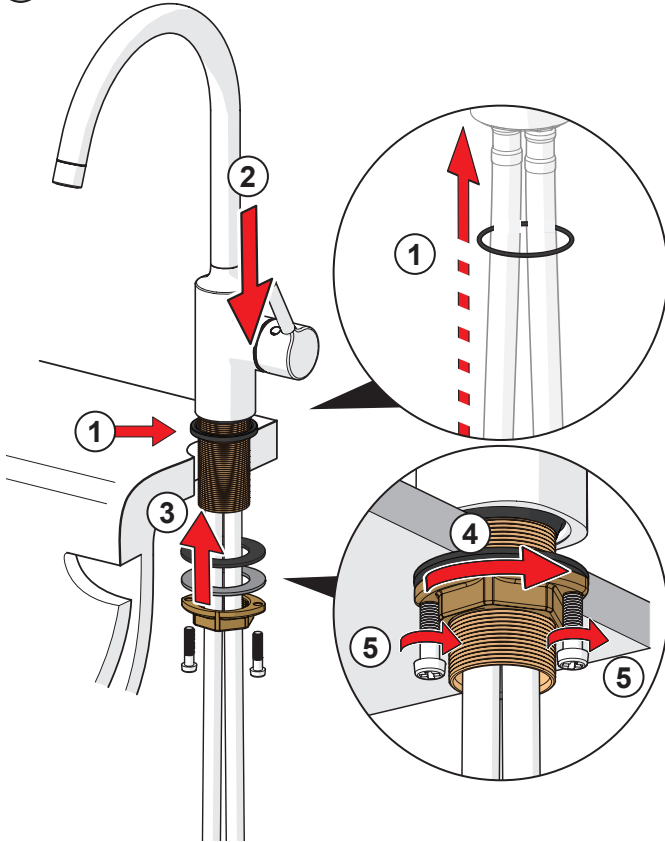
mpi.oras.com/2734FHN

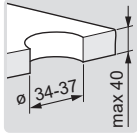
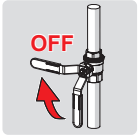


max.
1600 kPa

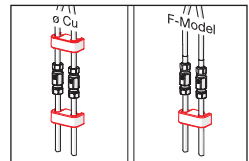
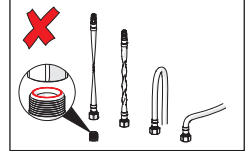
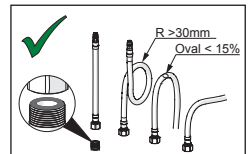
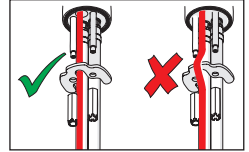
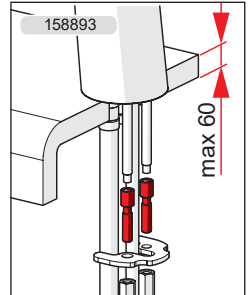
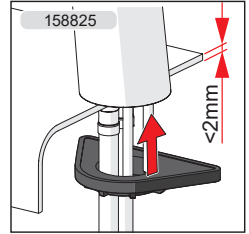
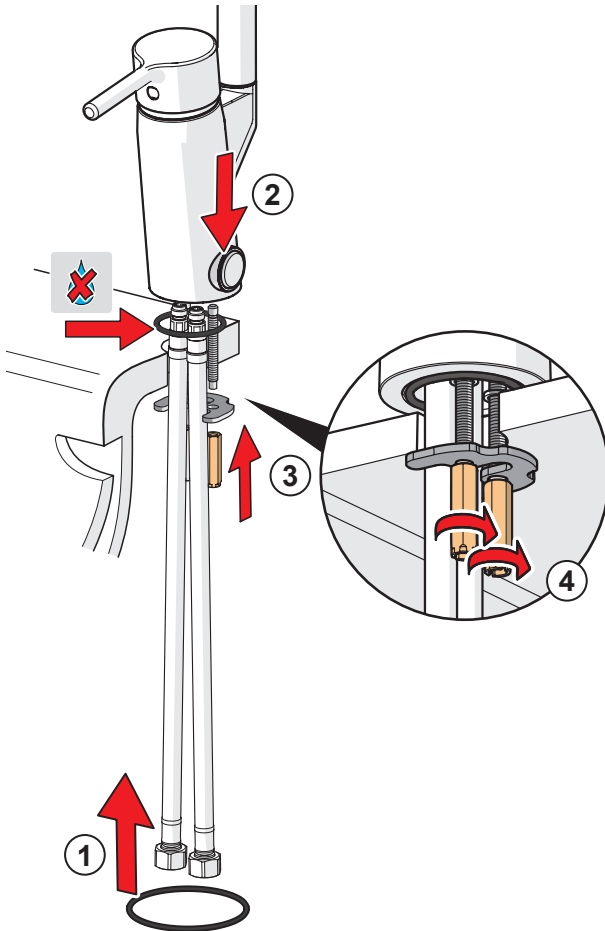


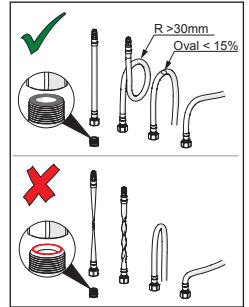
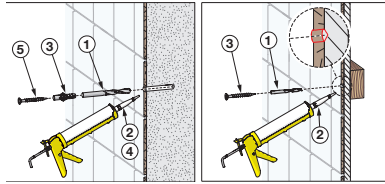
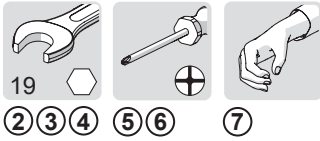
① A



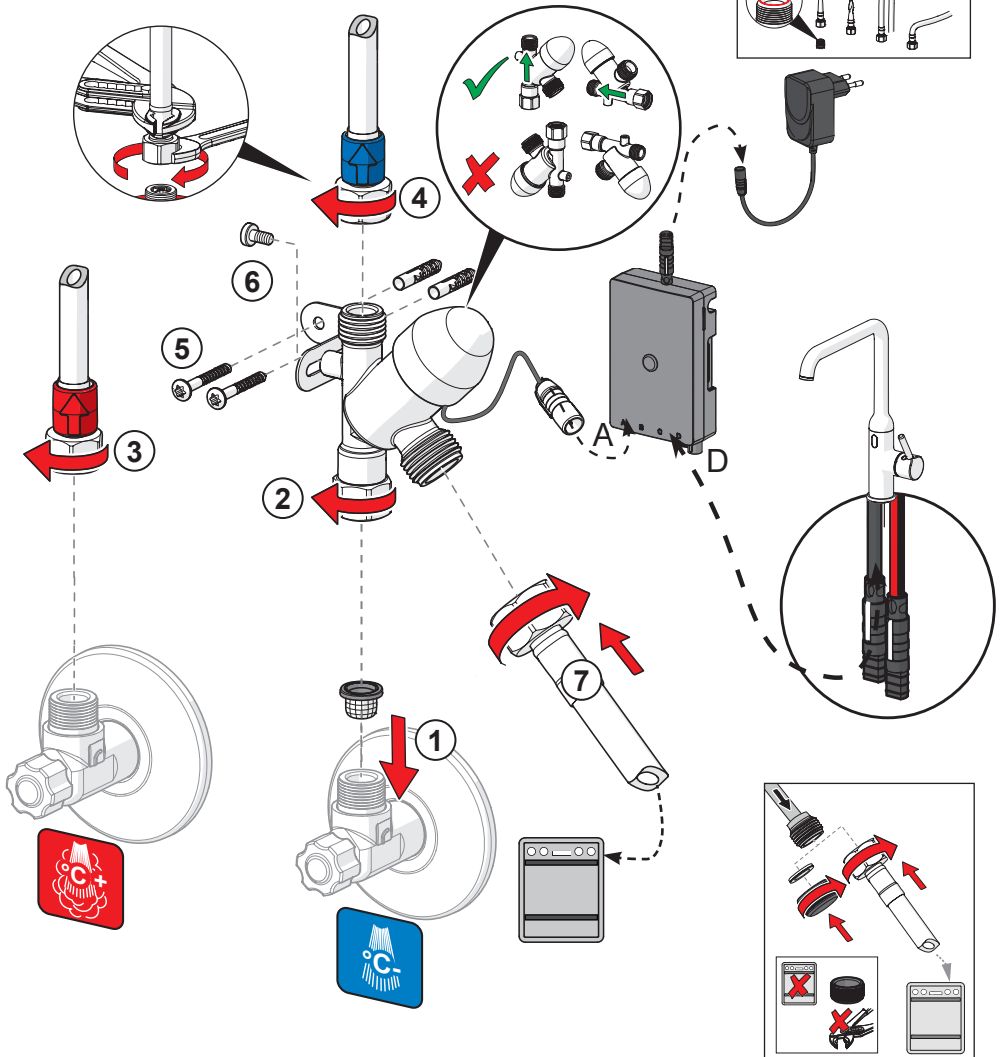


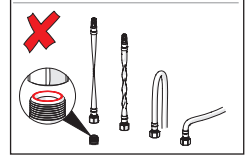
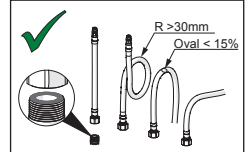
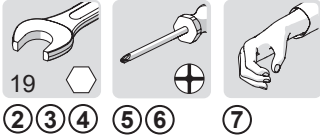
1 B



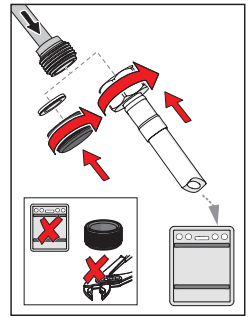
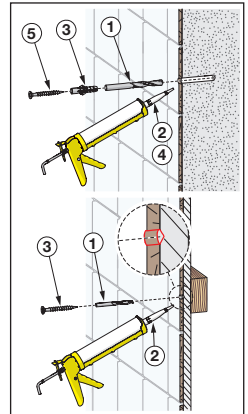
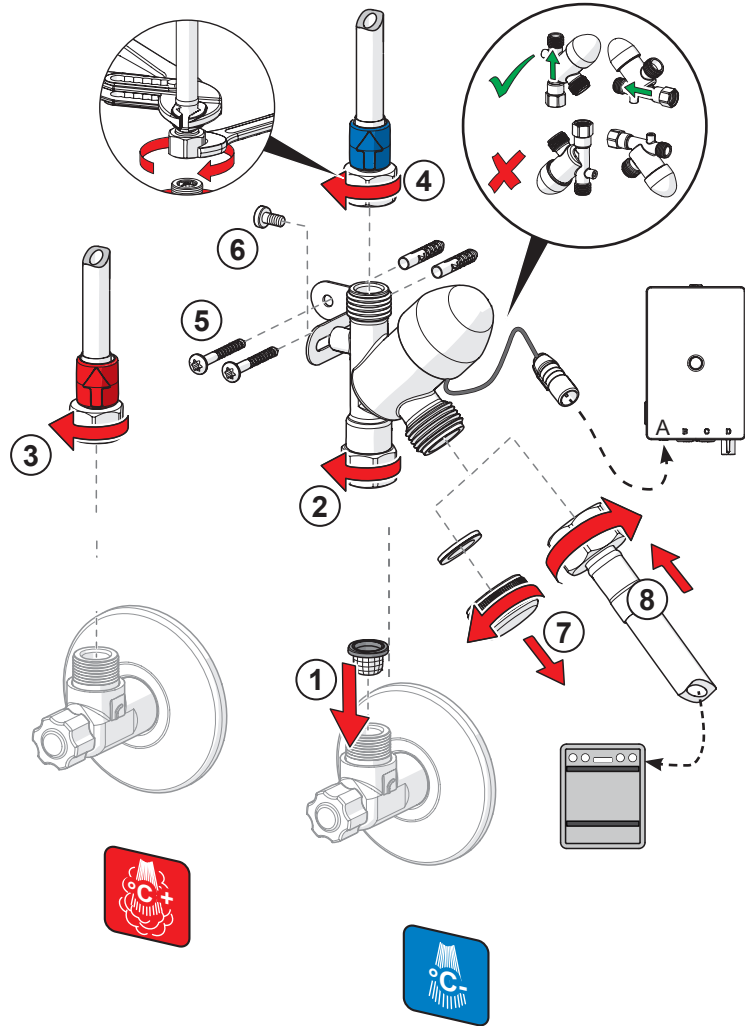


② (A)



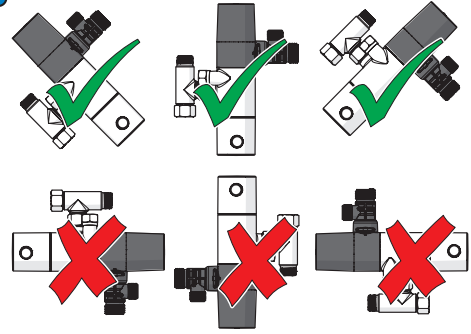
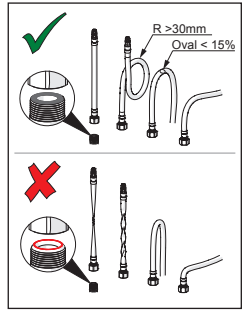
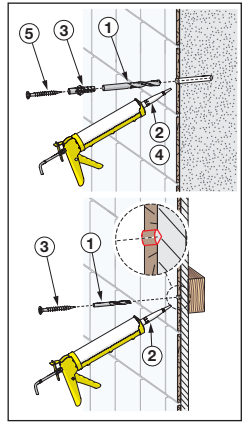
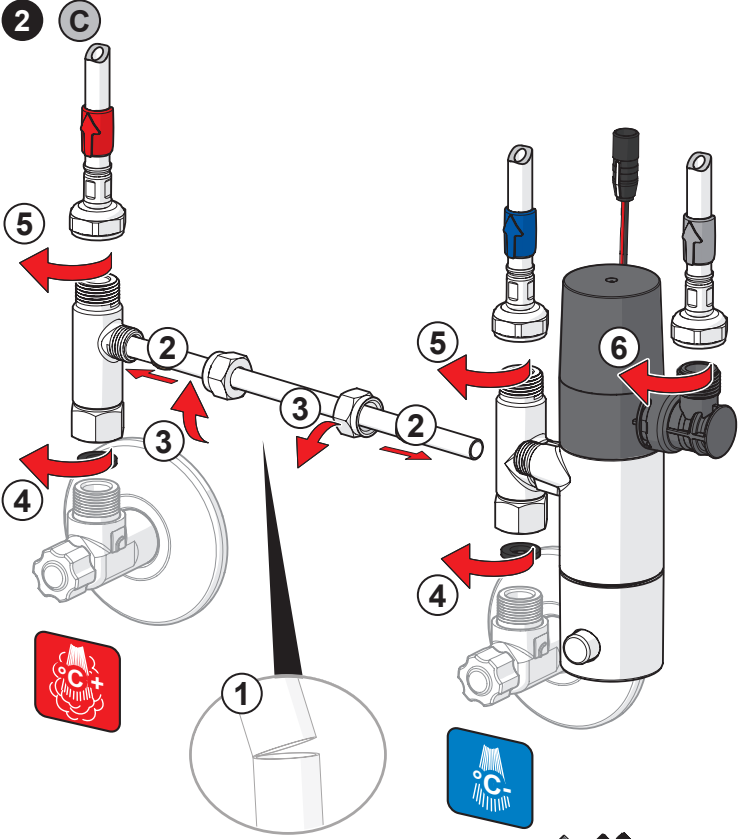


2 B





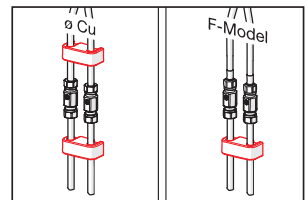
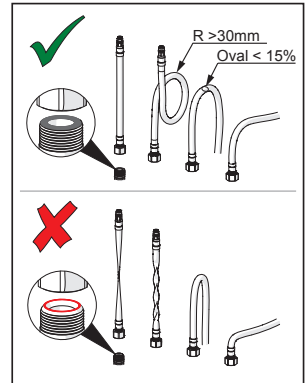
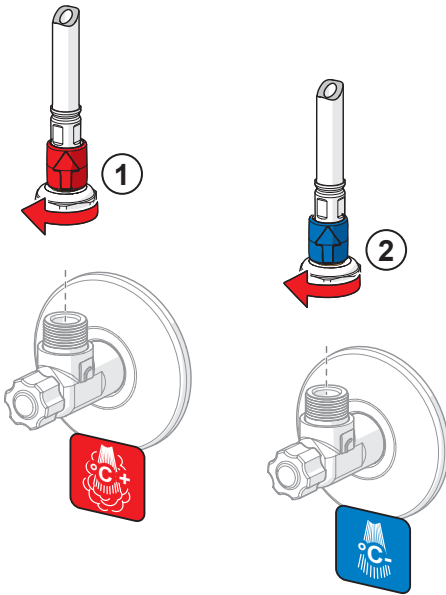
max.
1600 kPa





1 2

2 D



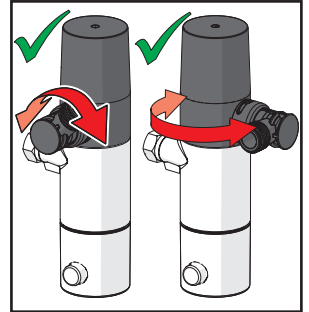
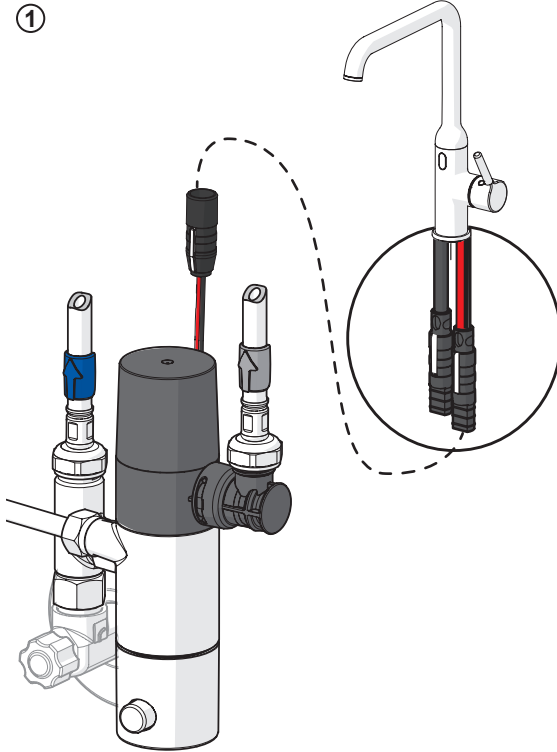


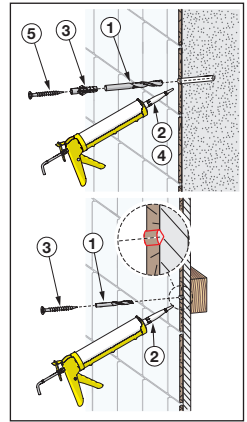
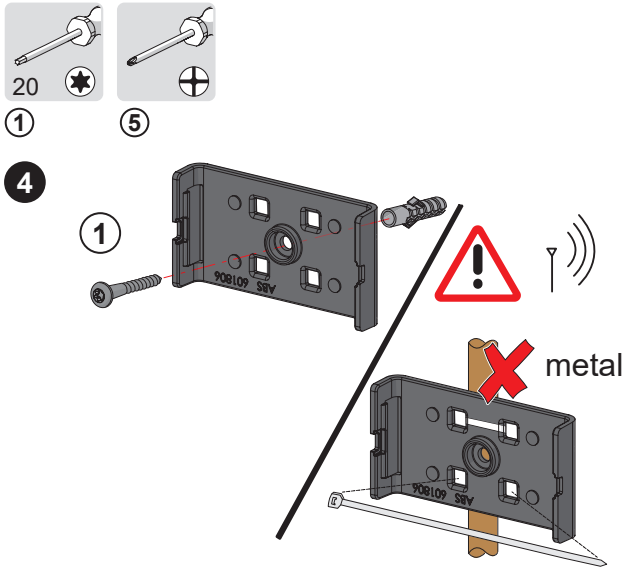
1



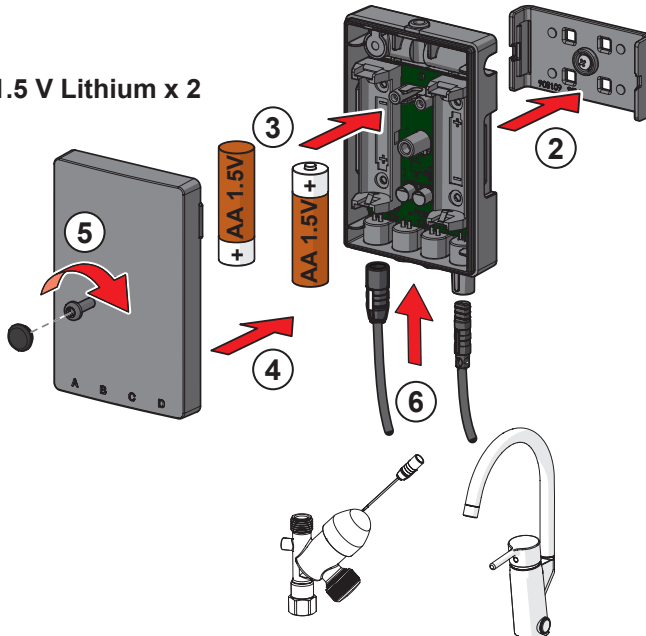
1

3





AA 1.5 V Lithium x 2

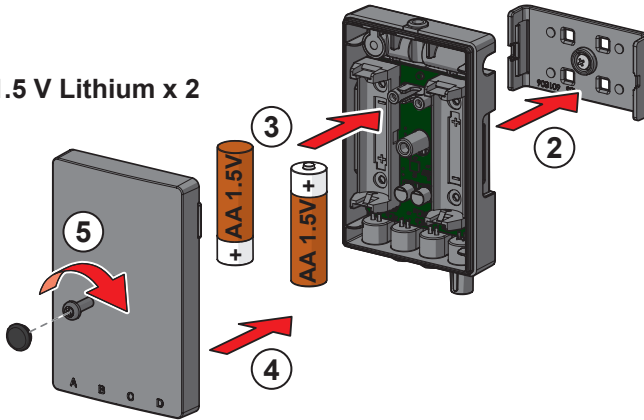


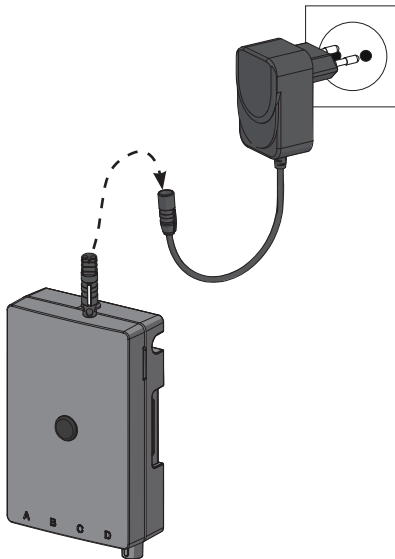
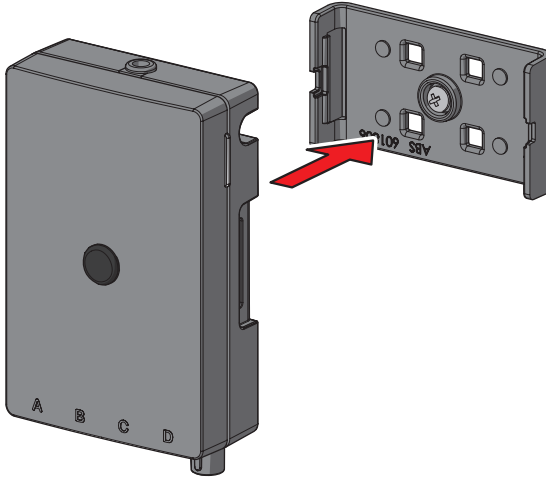


5

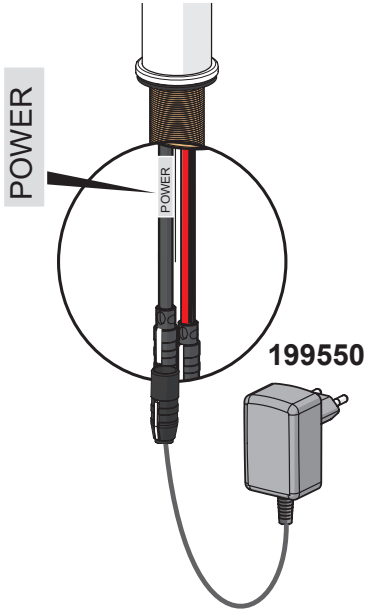


AA 1.5 V Lithium x 2

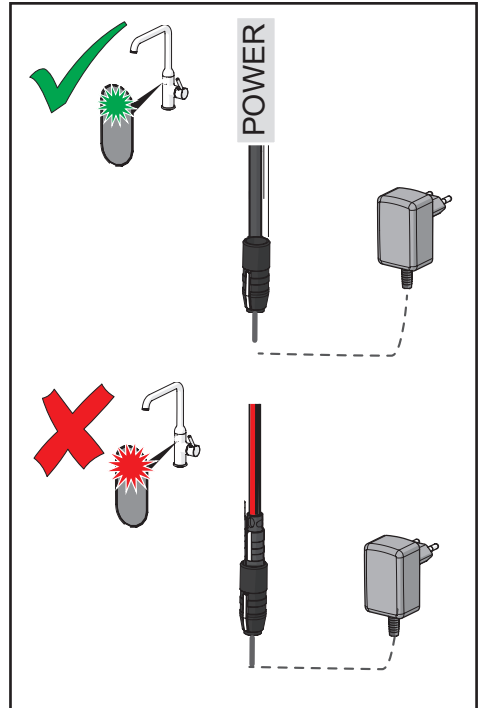
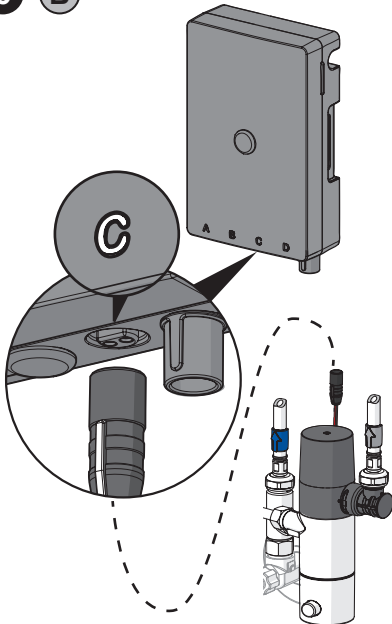


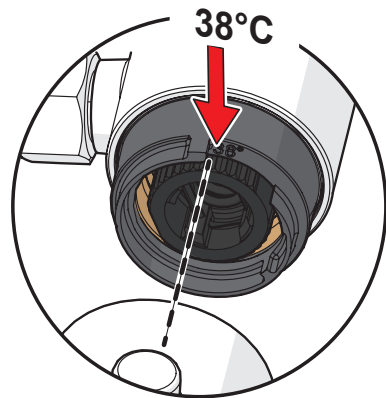
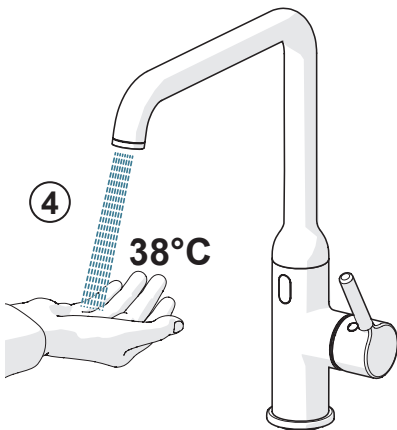
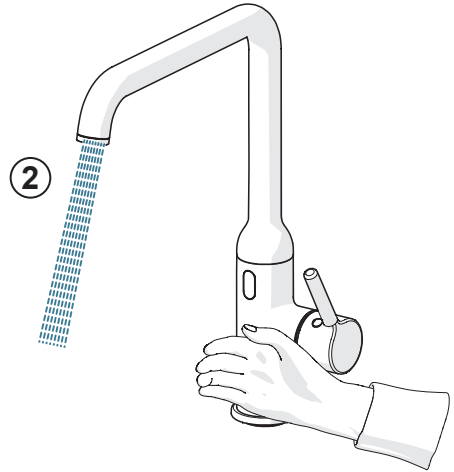
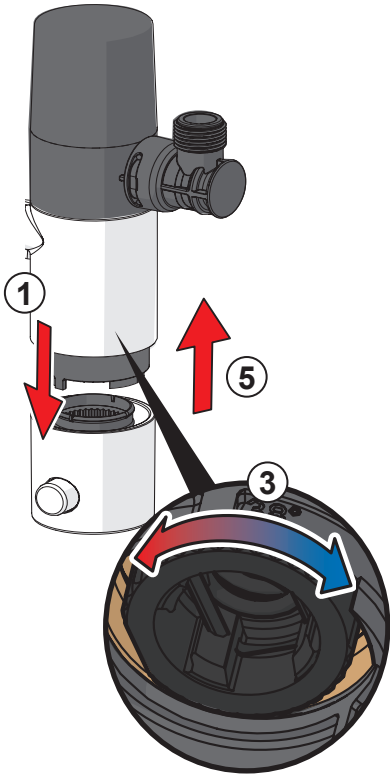


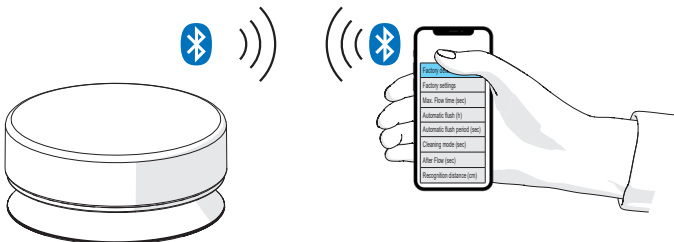
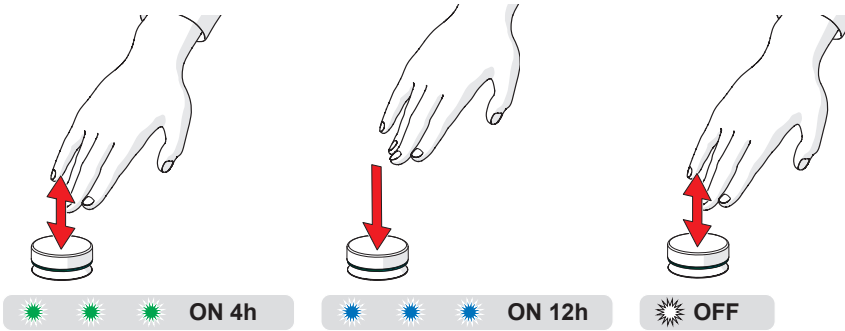
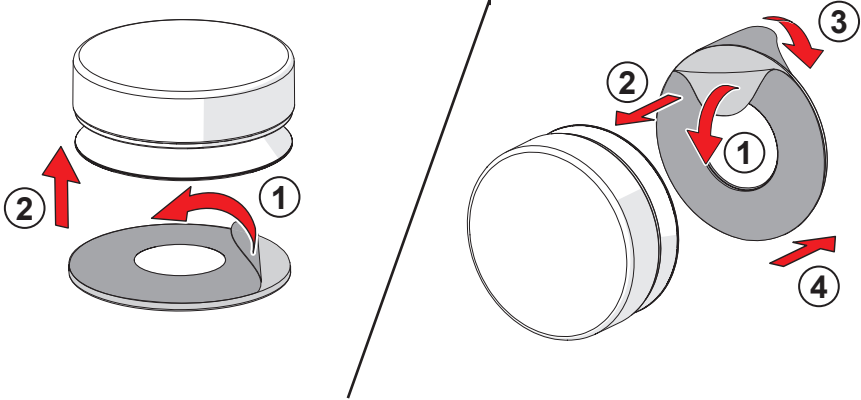
5 A



5 B





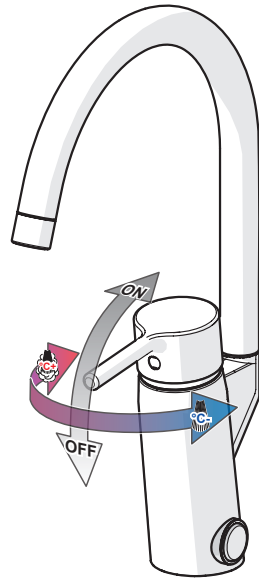
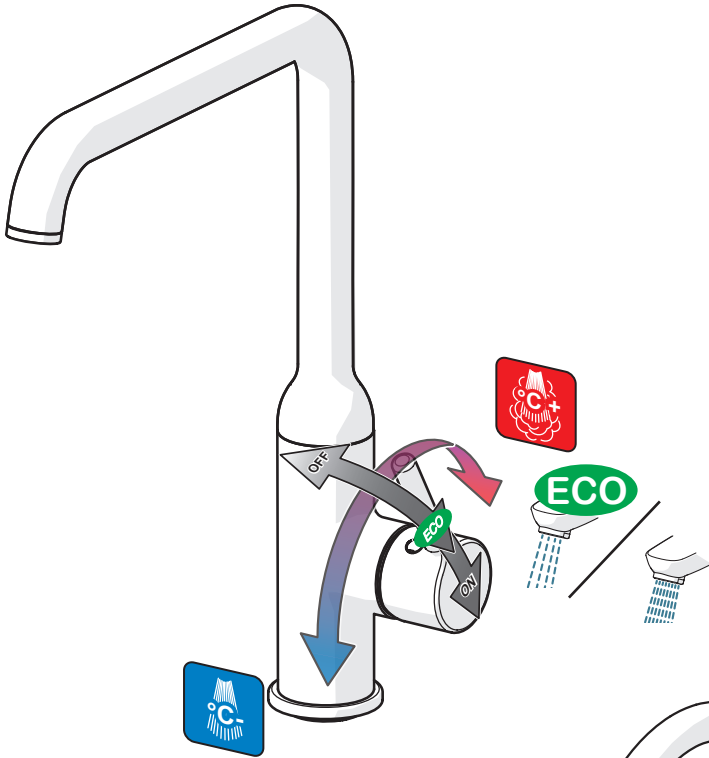


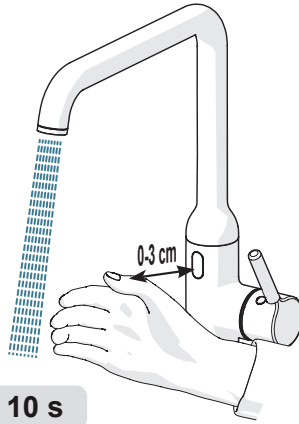
Oras App



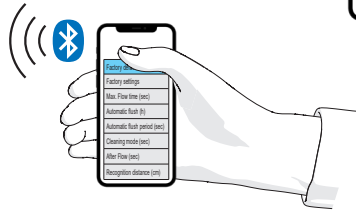
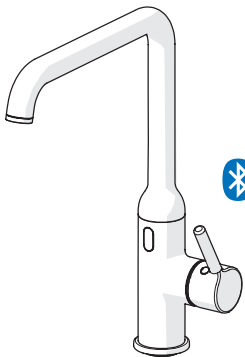
apps.oras.com







ON 10 s

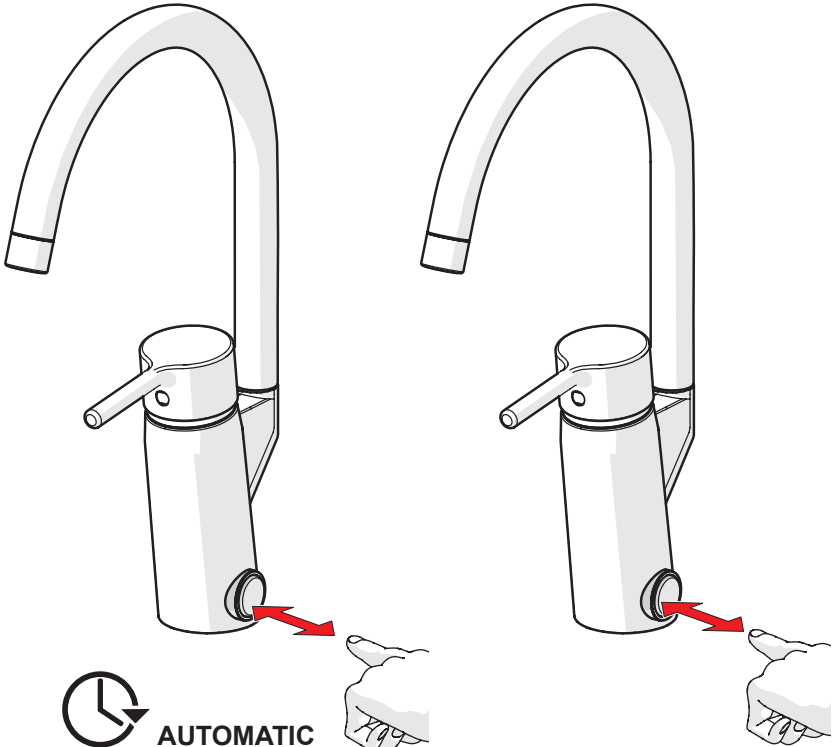


Oras App



apps.oras.com





4 h

AUTOMATIC

ON 4h

OFF

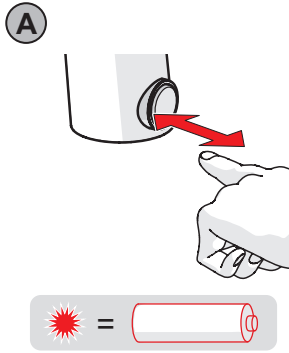
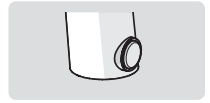


12 h

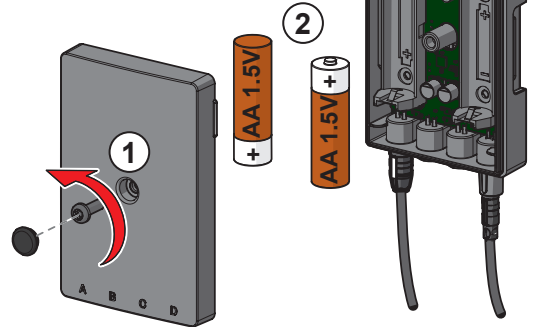
AUTOMATIC

ON 12h

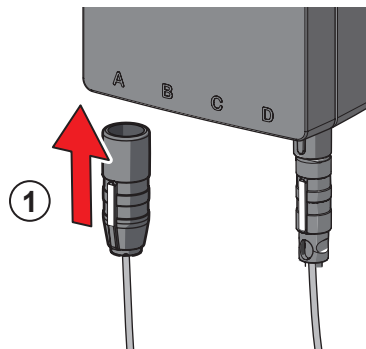
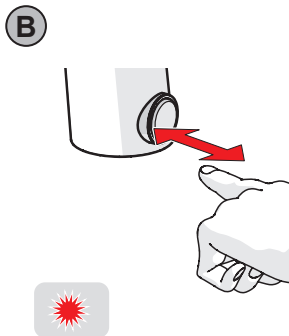
OFF



AA 1.5 V Lithium x 2

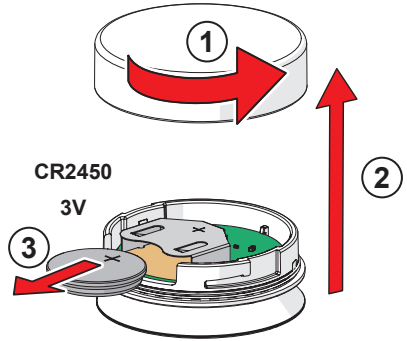
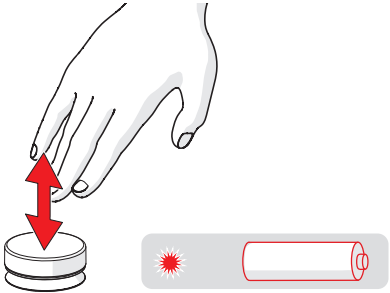


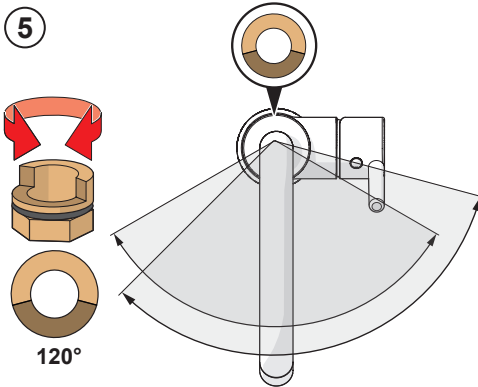
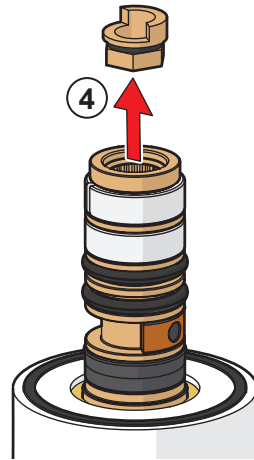
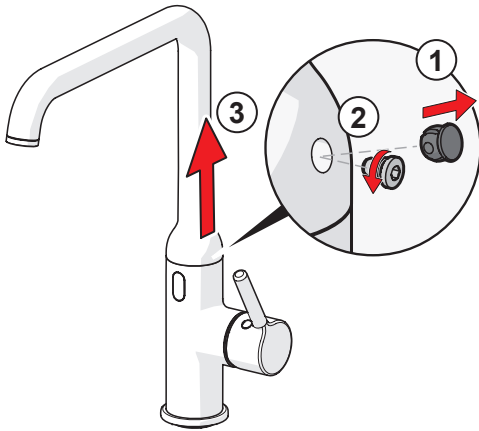
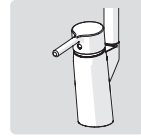
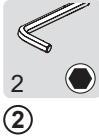
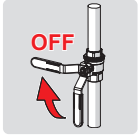
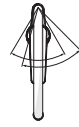
①
> 1 min
power off



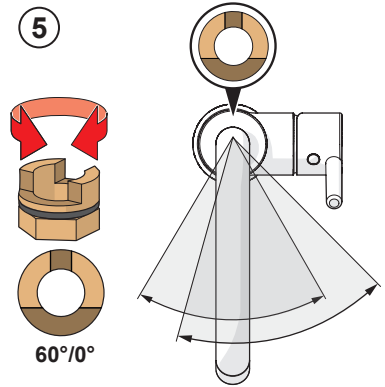


① ② ③



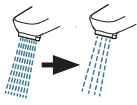


159670/10



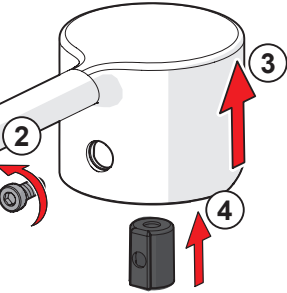
159667/10

159667V

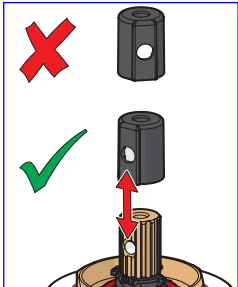
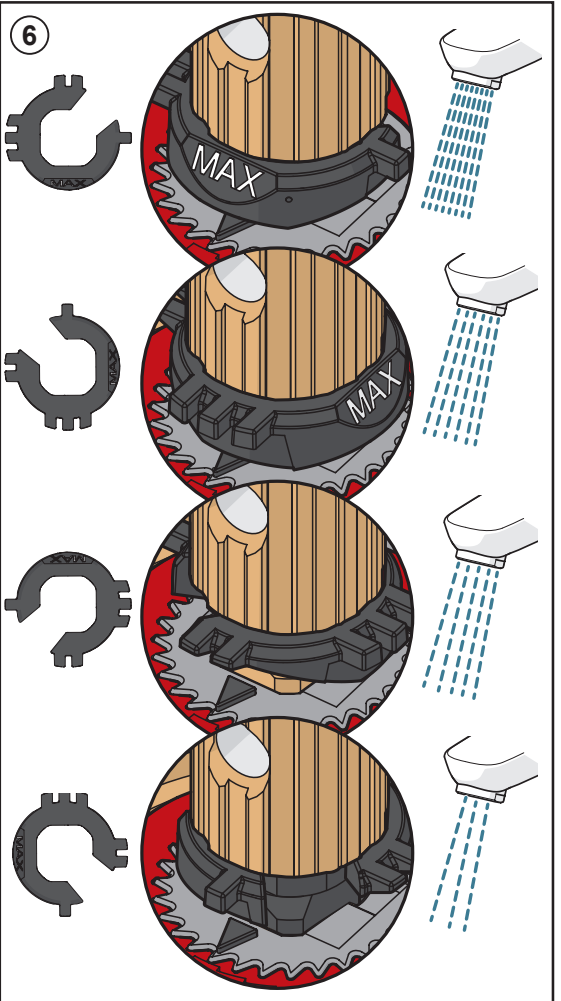
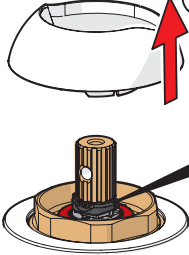


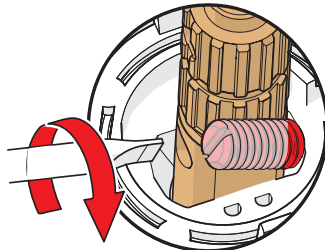
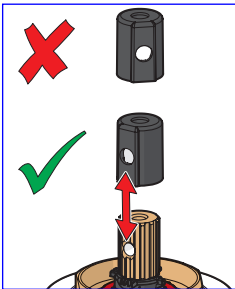
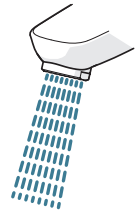
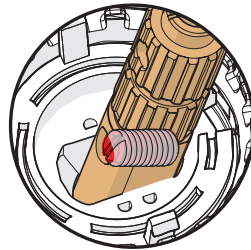
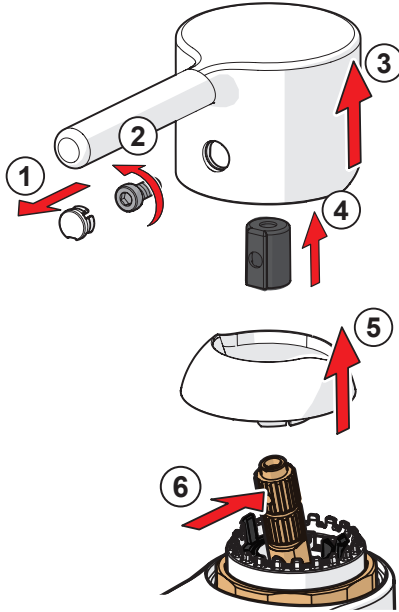
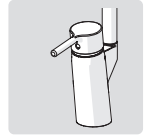
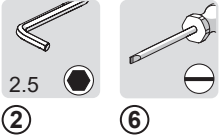
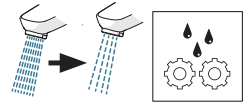
2

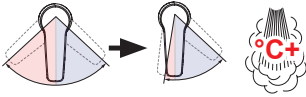
1



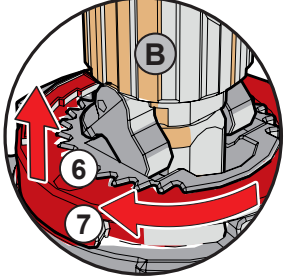
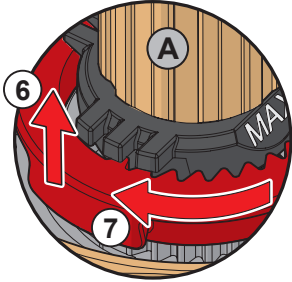
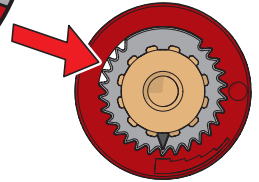
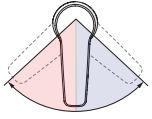
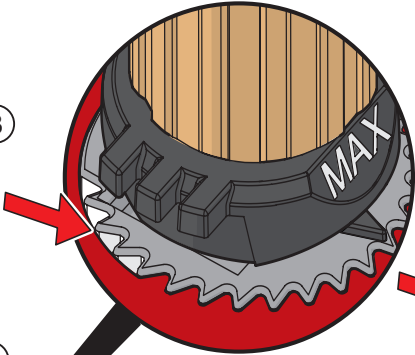
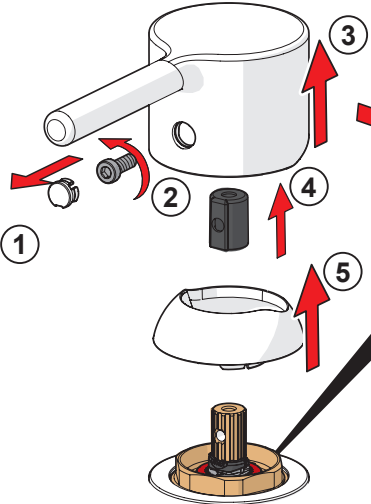
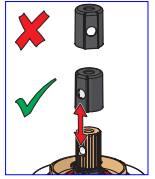
5



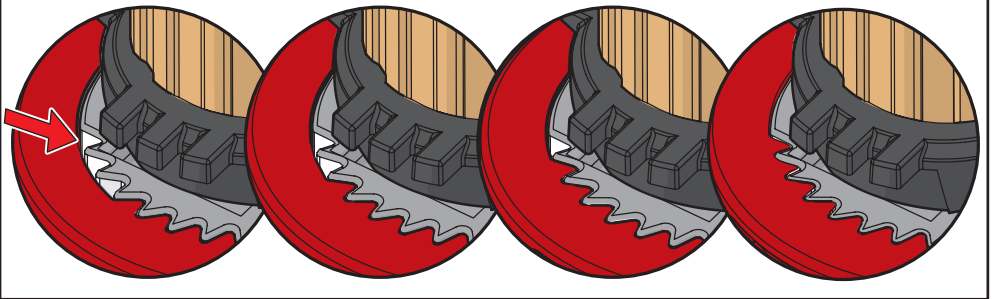
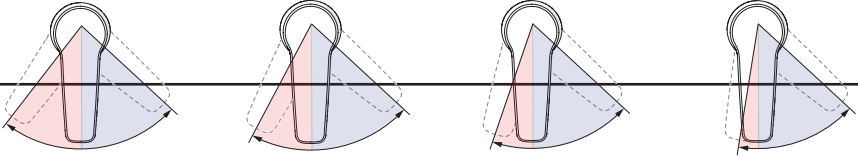


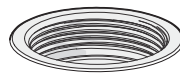
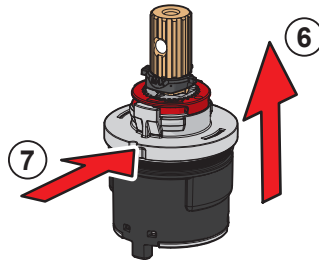
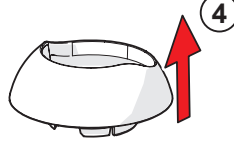
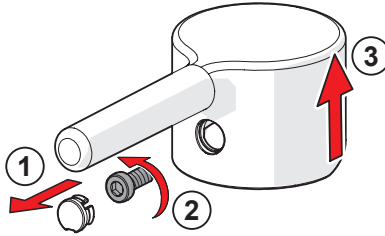
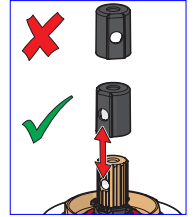
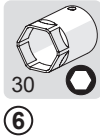
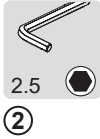
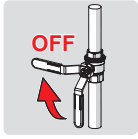


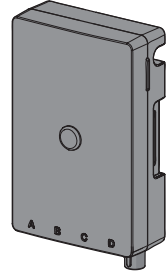
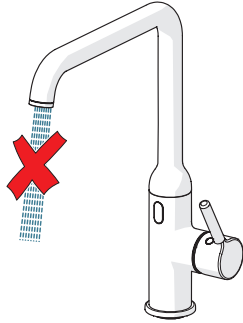
②



⑧





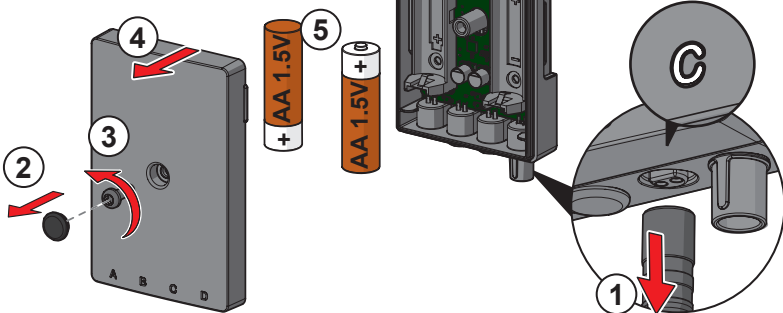


③

⑤

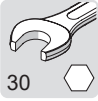


AA 1.5 V Lithium x 2





① ③



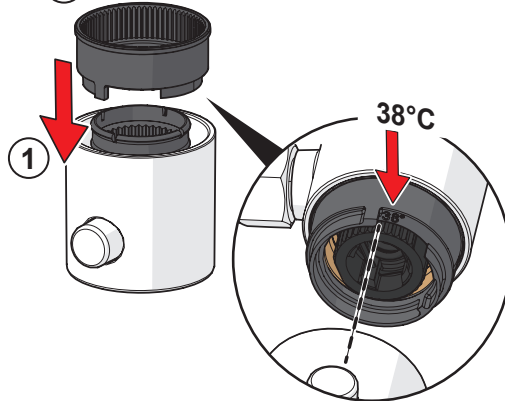
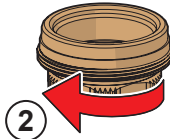
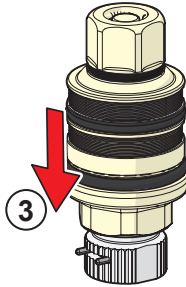
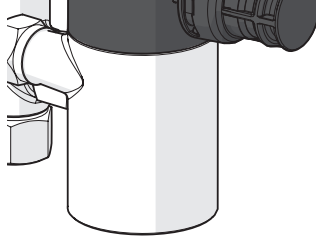
②

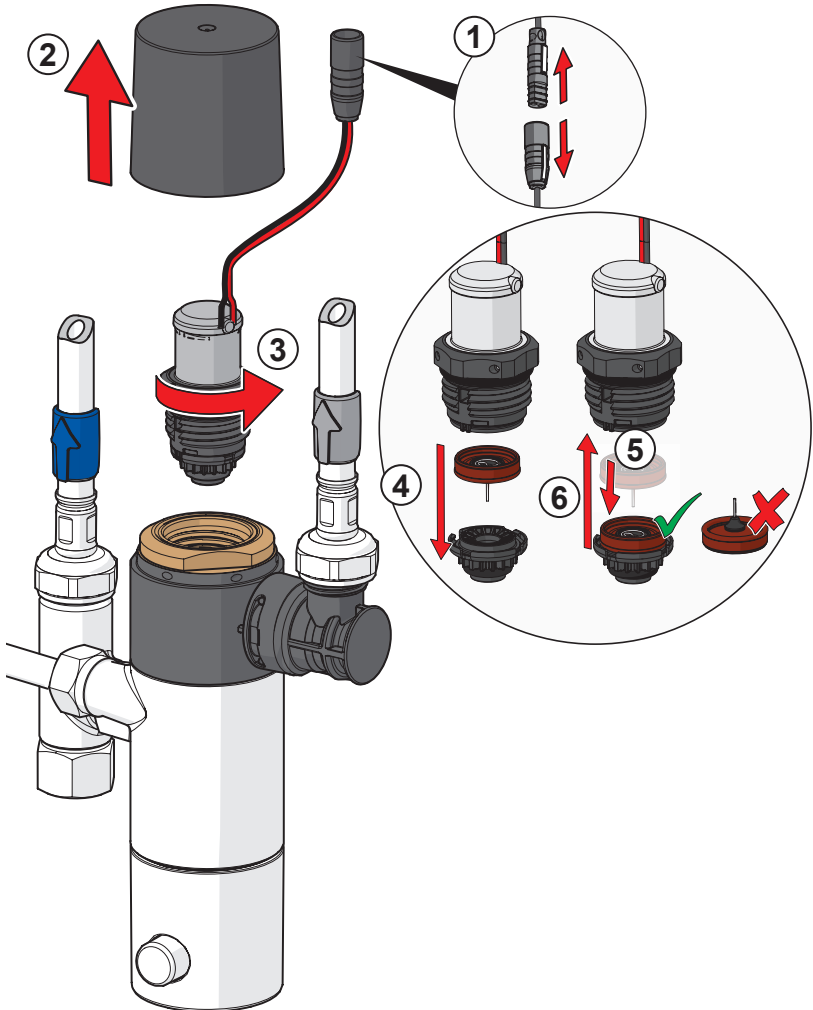
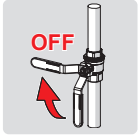


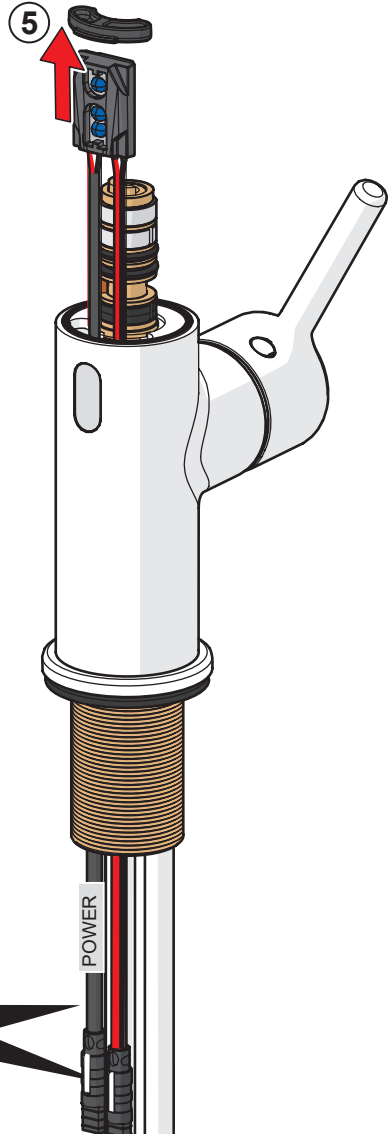
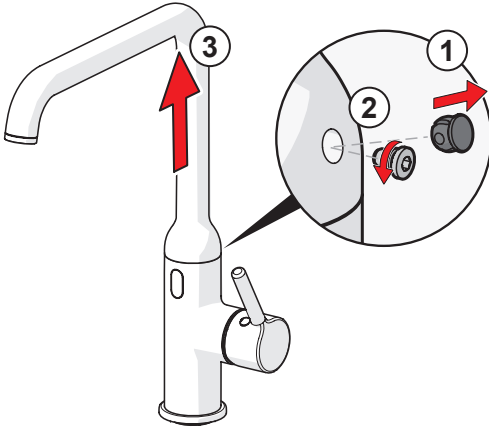
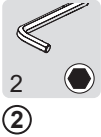
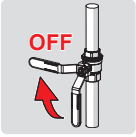
③



③





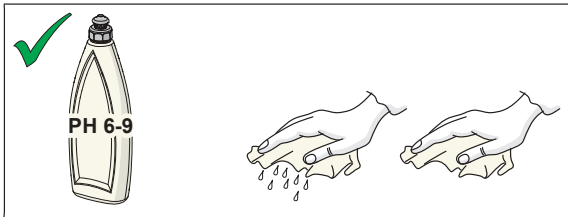
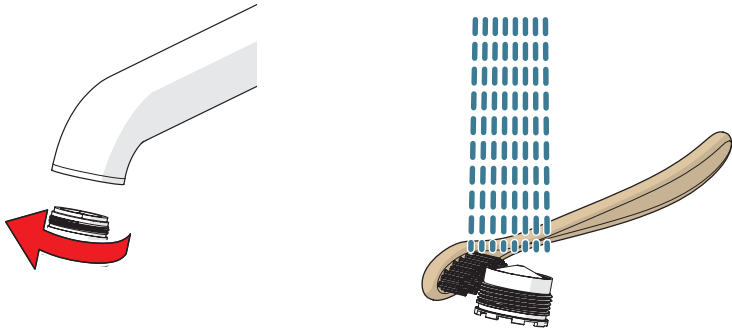




①



②



cleaning.oras.com

About Oras Group

Oras Group is a significant European provider of sanitary fittings: the market leader in the Nordics and a leading company in Continental Europe.

The company's mission is to create the smartest water experiences for everyone and its vision is to become the Perfect Flow Company.

The Group has two strong brands, Oras and Hansa. Oras Group is owned by Oras Invest, a family company, and an industrial owner.

The domicile of Oras Ltd, the parent company of the Group, is located in Rauma, Finland, and the Group has three manufacturing sites: Kralovice (Czech Republic), Olesno (Poland) and Rauma (Finland).

The Group operates with its own staff in 17 markets. Oras Group's net sales were 233.5 million euros in 2021 and at the end of the period the company employed 1255 people.

ORAS Ltd
Isometsäntie 2, P.O. Box 40
FI-26101 Rauma
Tel. +358 2 83 161
Fax +358 2 831 6300
info.finland@oras.com
www.oras.com



943517-09-23