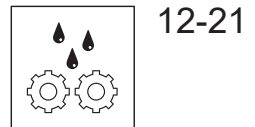
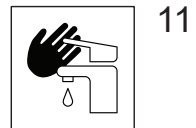
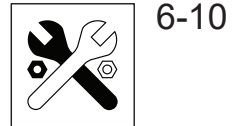




Oras Inspera

Installation and maintenance guide

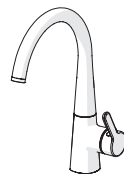
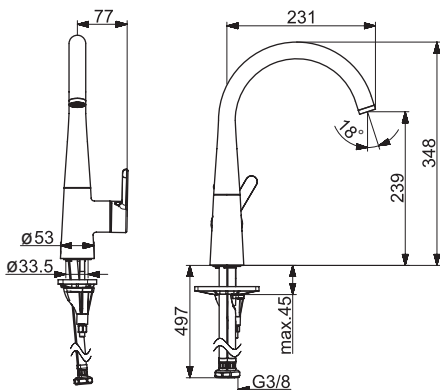






3030F

I (ISO 3822)
 EN 817
 50 - 1000 kPa
 0.2 l/s (300 kPa)
 300 kPa (0.2 l/s)
 max. +80°C

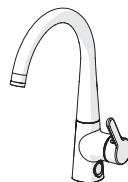
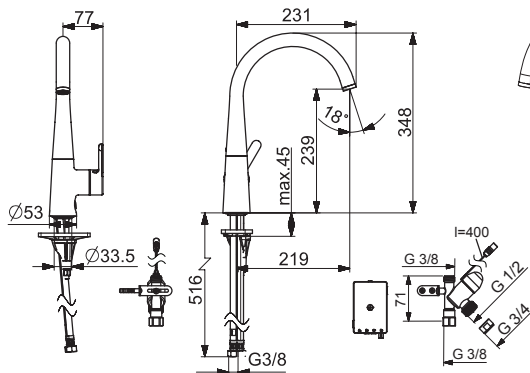


mpi.oras.com/3030F

3035F

I (ISO 3822)
 EN 817, EN 15091
 50 - 1000 kPa
 0.2 l/s (300 kPa)
 300 kPa (0.2 l/s)
 max. +70°C

IP 55
 AA 1.5 V Lithium x 2

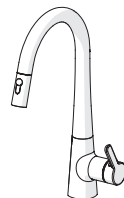
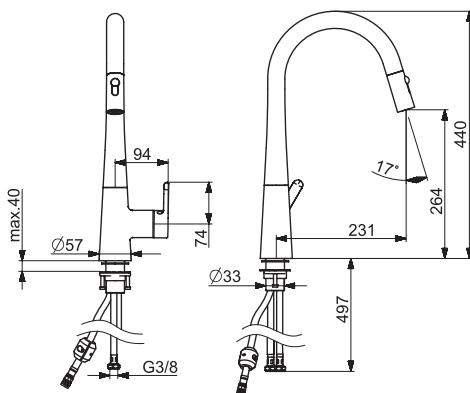


mpi.oras.com/3035F

CE (EMC 2014/30/EU)

3032F

I (ISO 3822)
 EN 817
 50 - 1000 kPa
 0.2 l/s (300 kPa)
 300 kPa (0.2 l/s)
 max. +80°C

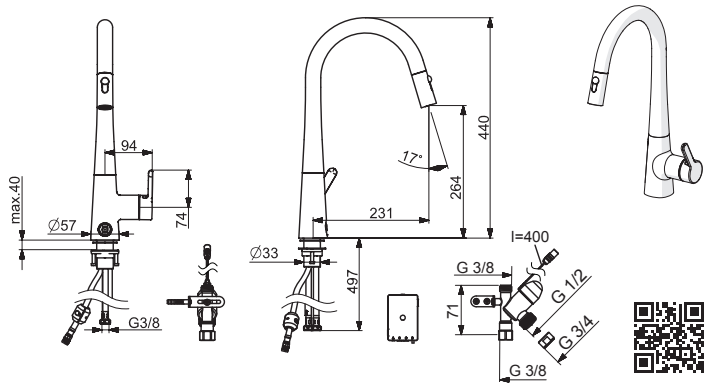


mpi.oras.com/3032F

3031F

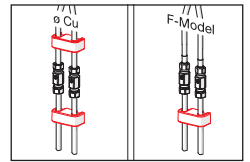
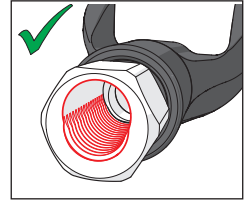
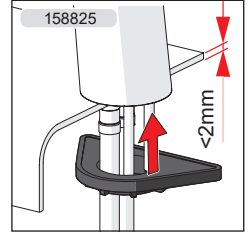
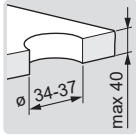
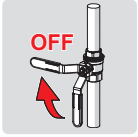
I (ISO 3822)
EN 817, EN 15091
50 - 1000 kPa
0.18 l/s (300 kPa)
95 kPa (0.1 l/s)
370 kPa (0.2 l/s)
max. +70°C

IP 55
AA 1.5 V Lithium x 2

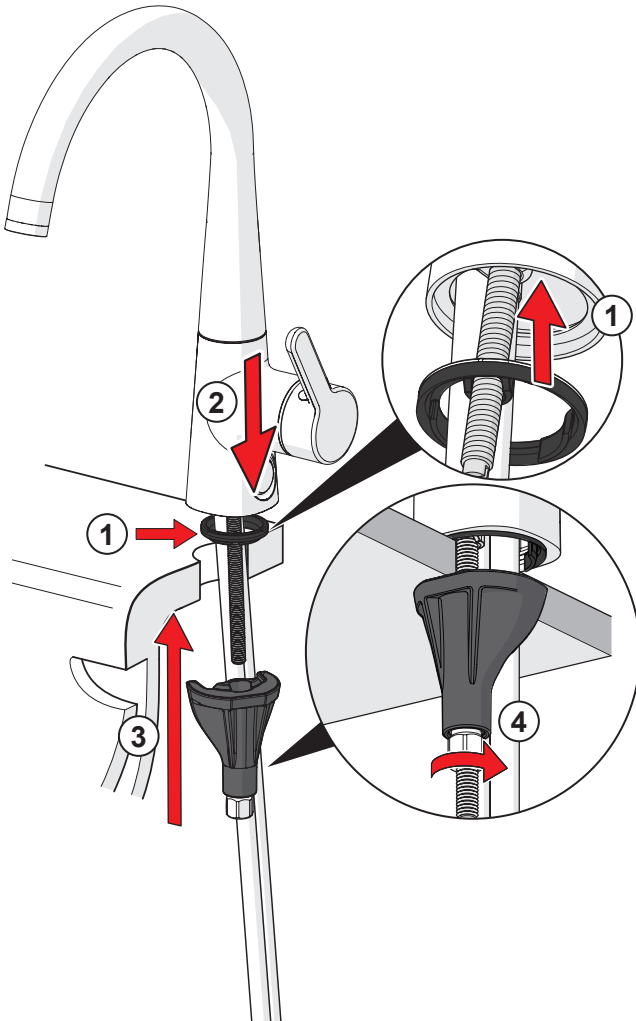


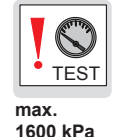
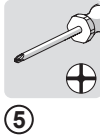
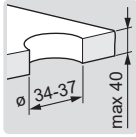
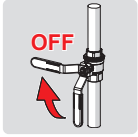
(EMC 2014/30/EU)

mpi.oras.com/3031F



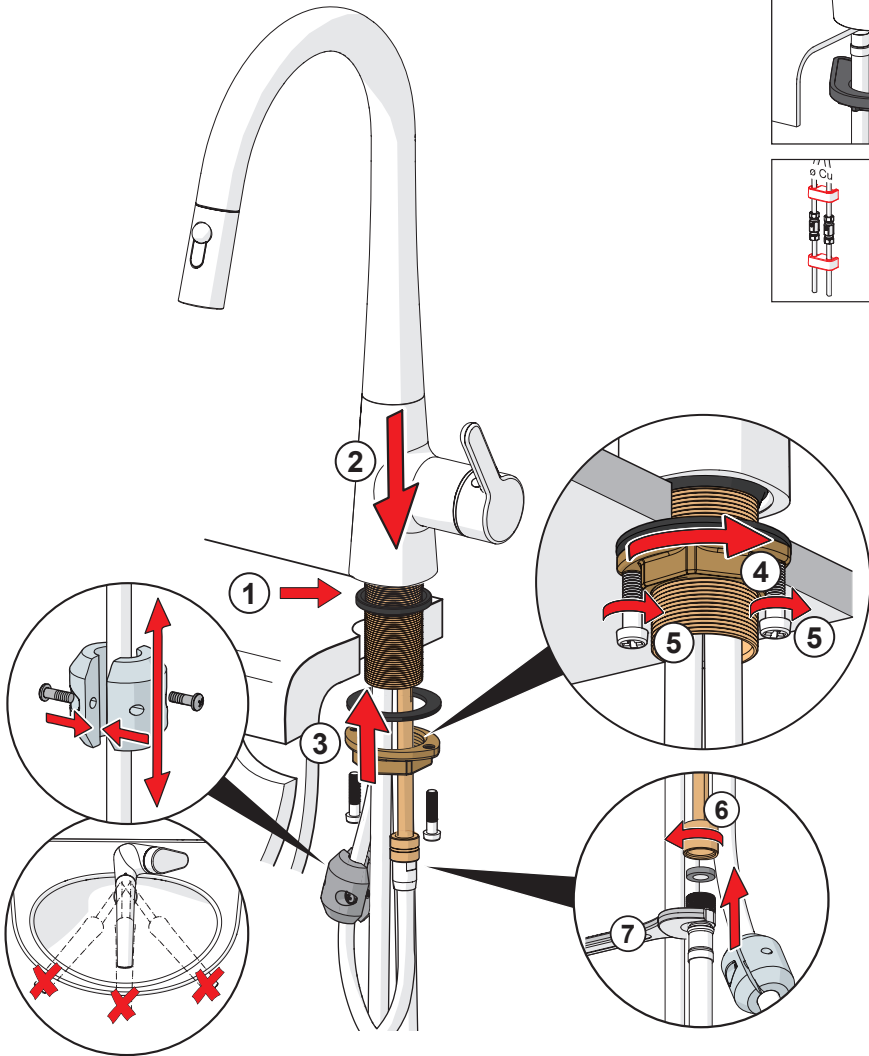
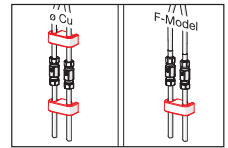
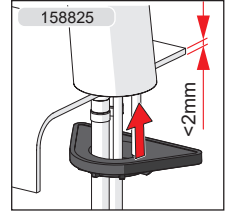
1





max.
1600 kPa

1

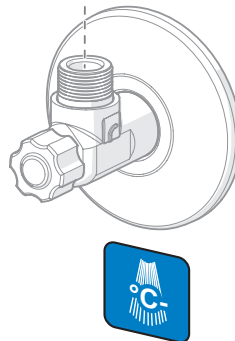
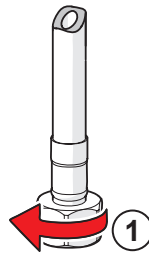
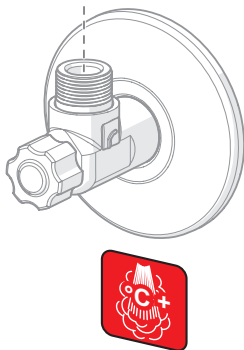
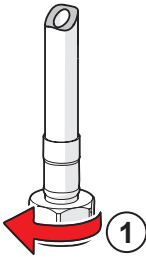
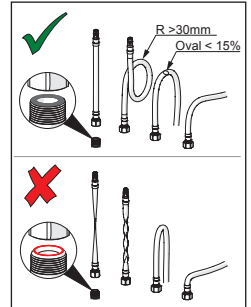


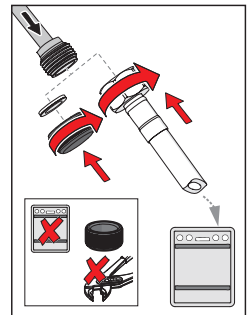
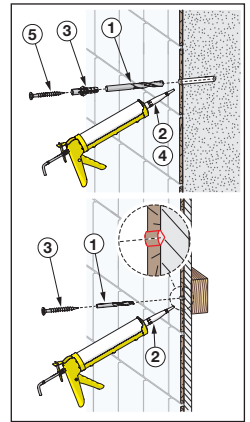
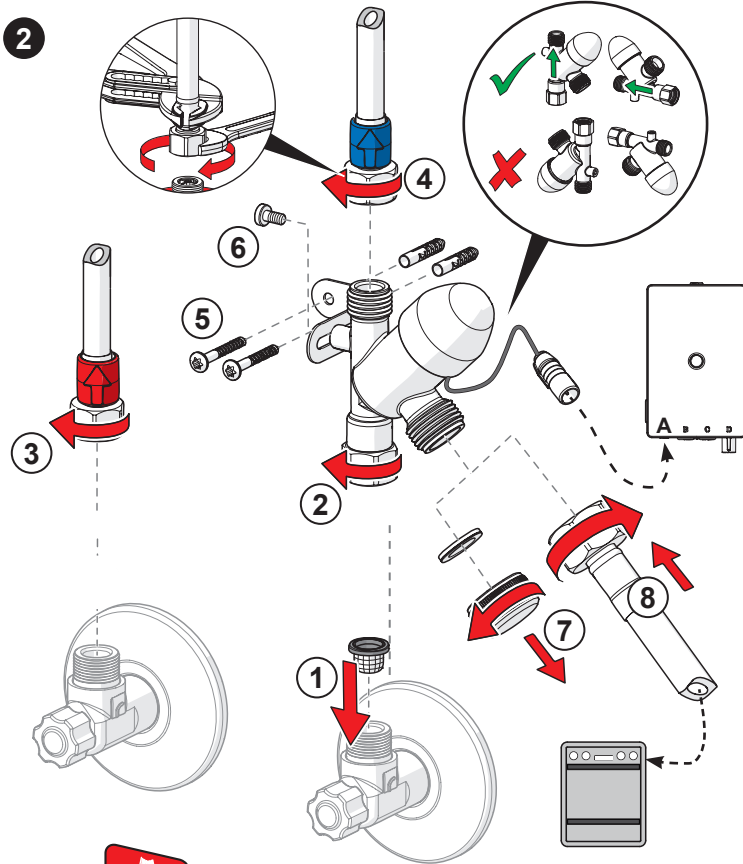
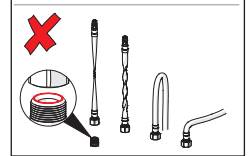
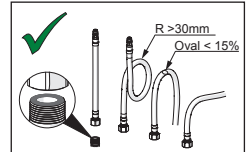
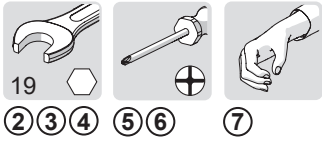


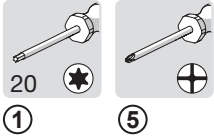
19

①

2

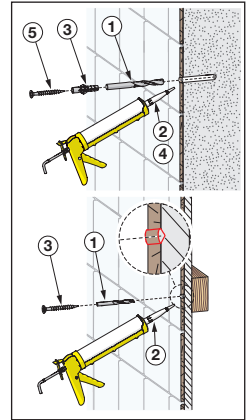
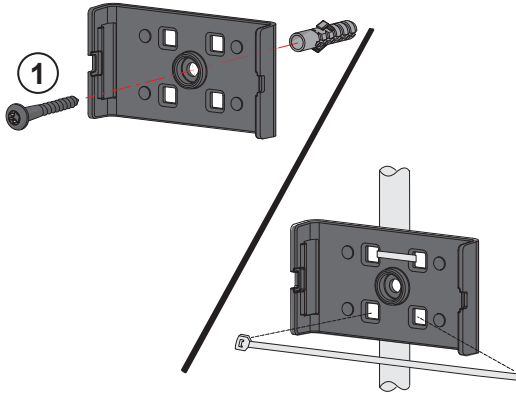




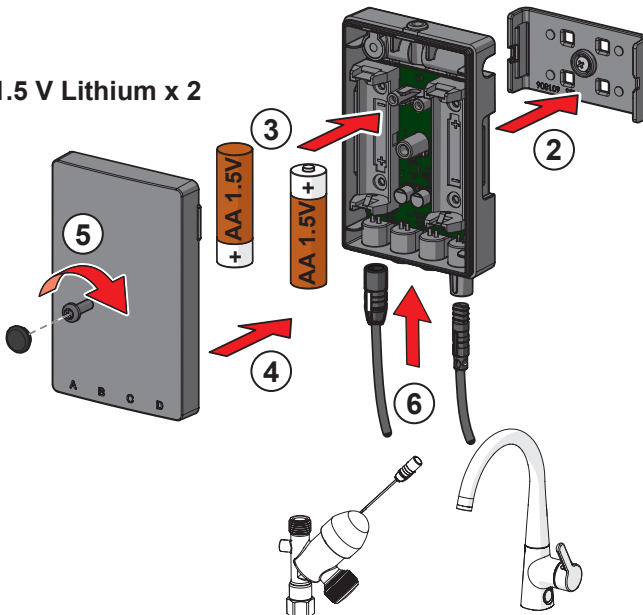


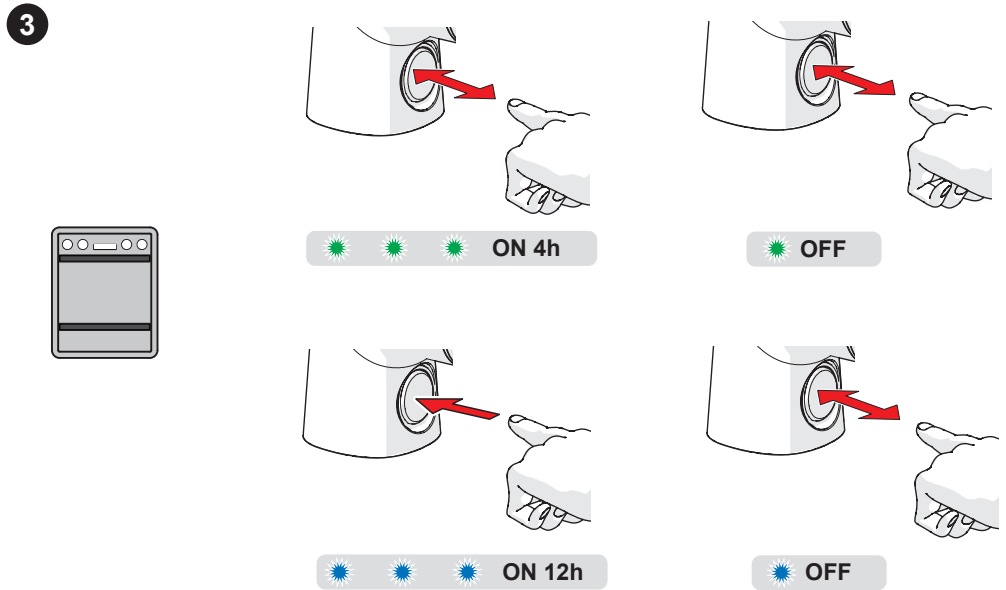
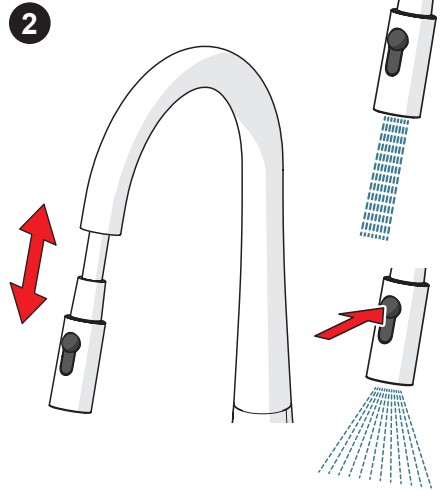
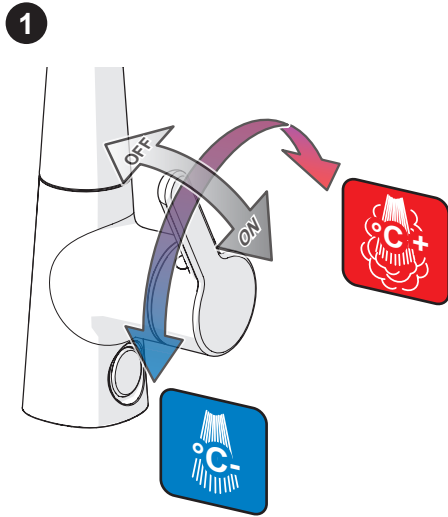
① ⑤

③



AA 1.5 V Lithium x 2







①

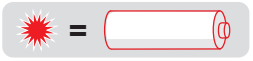
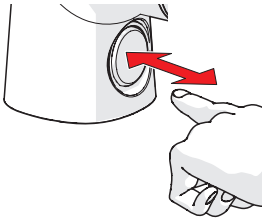


②

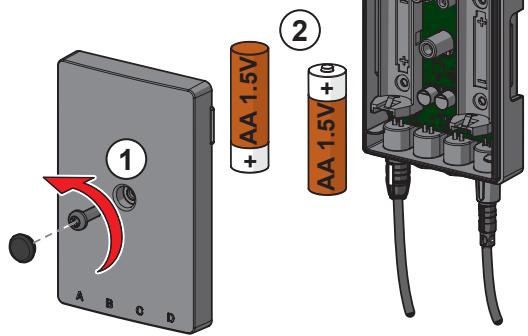


②

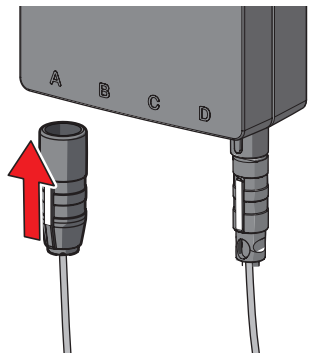
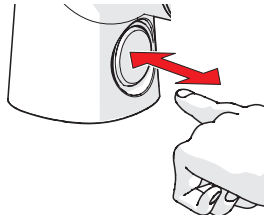
A

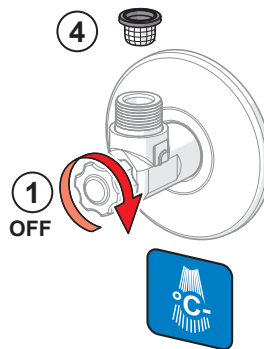
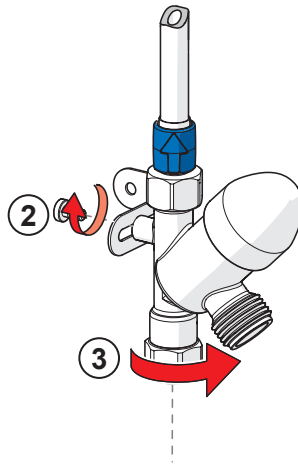
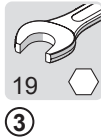
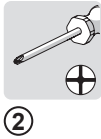
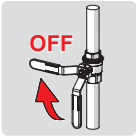


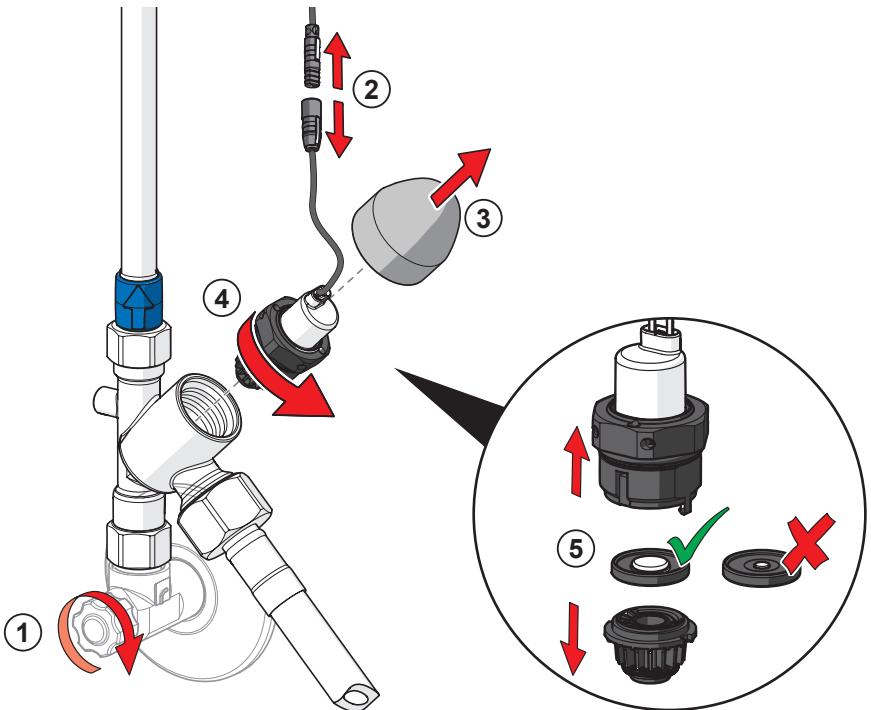
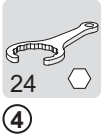
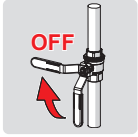
AA 1.5 V Lithium x 2

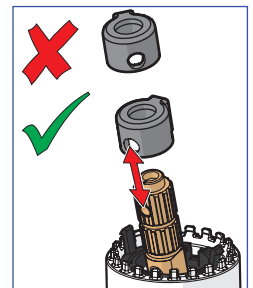
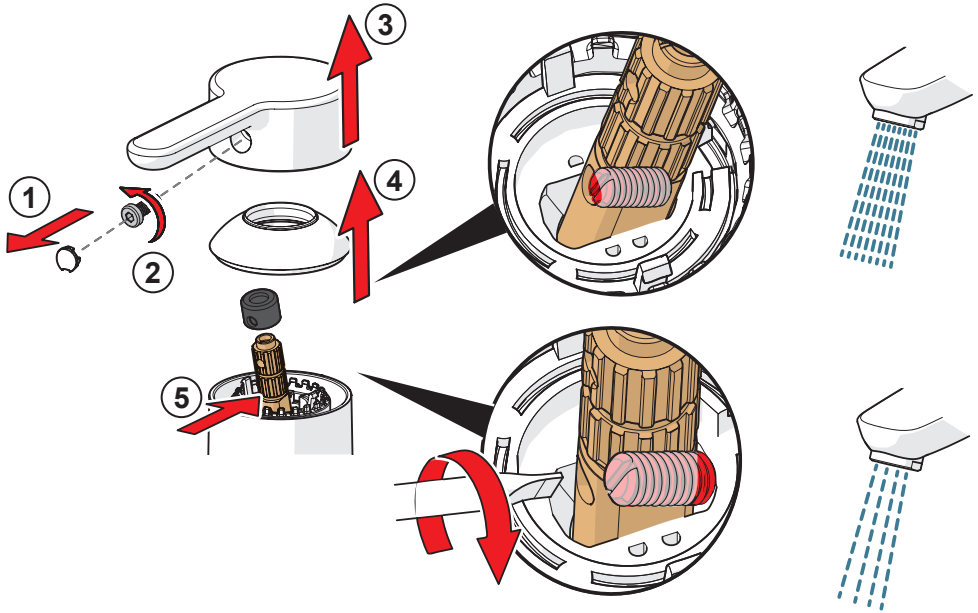
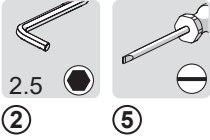


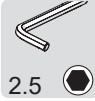
B







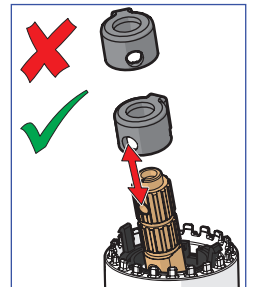
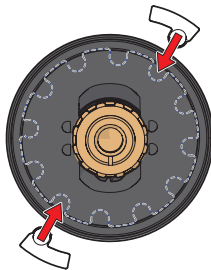
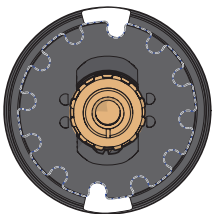
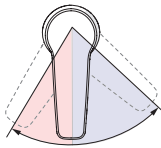
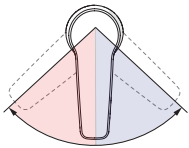
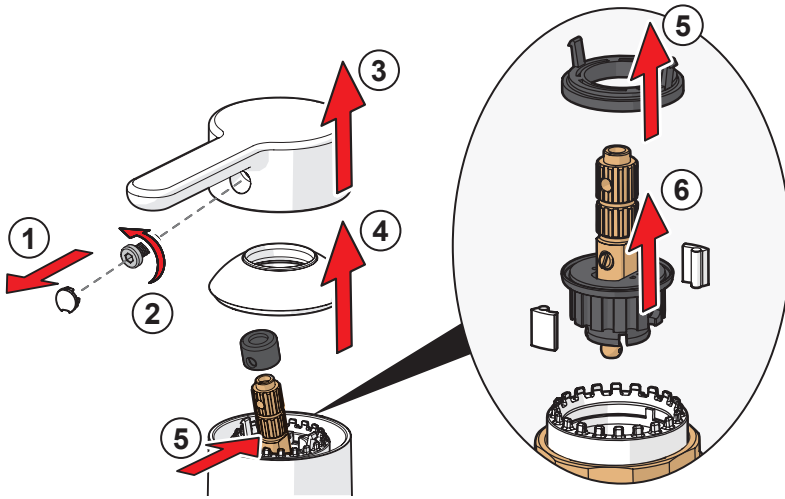


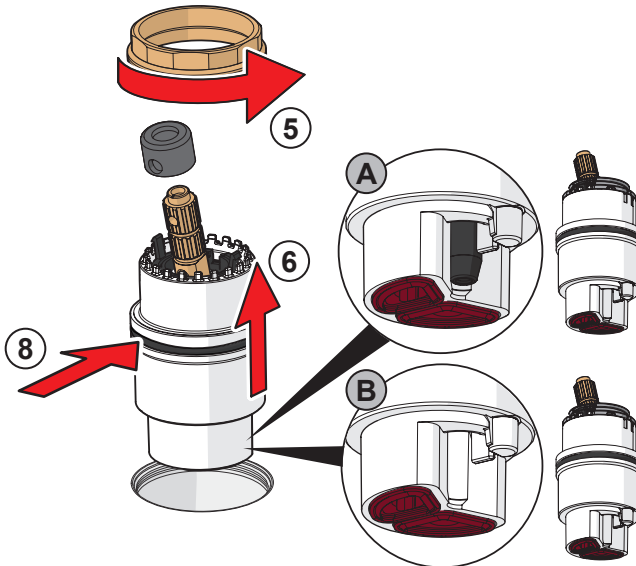
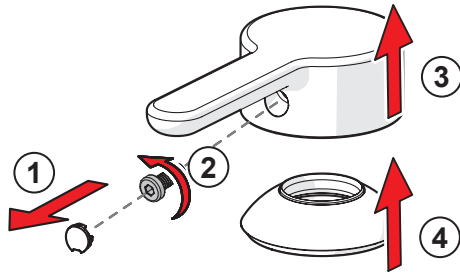
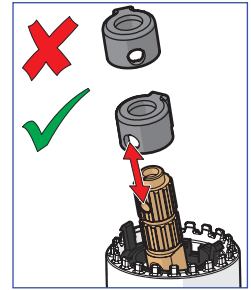
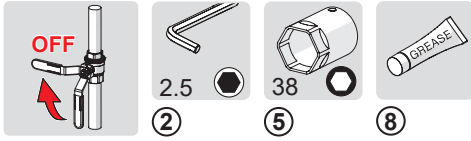


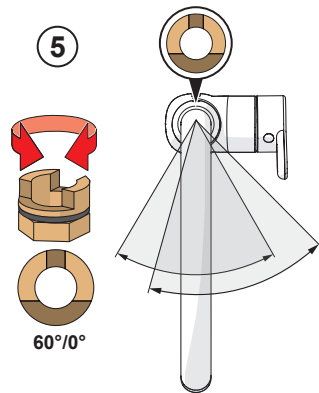
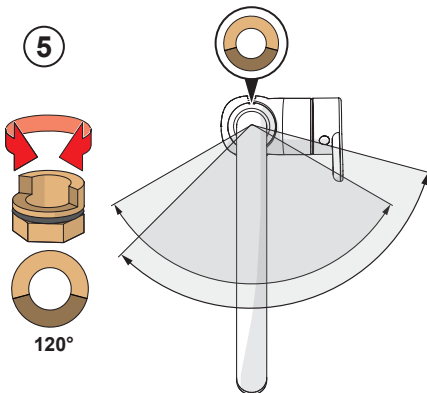
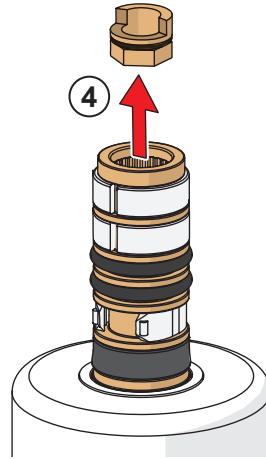
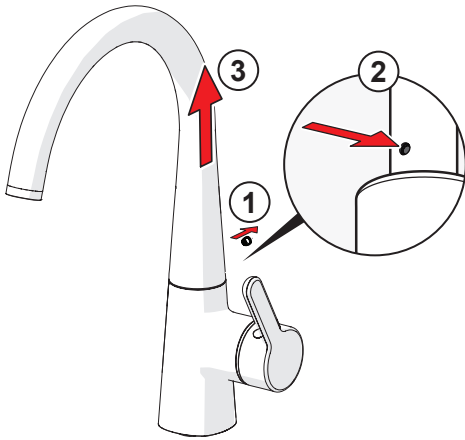
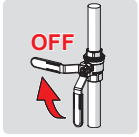
2.5

②

⑤ ⑥

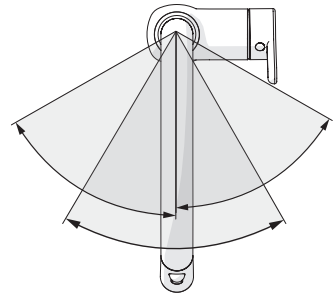
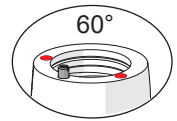
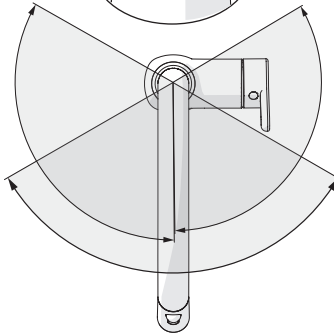
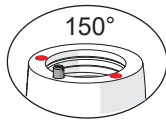
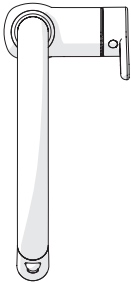
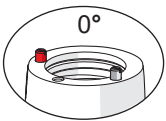
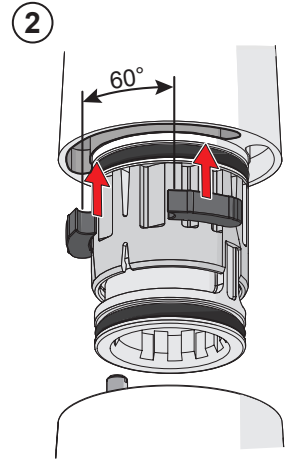
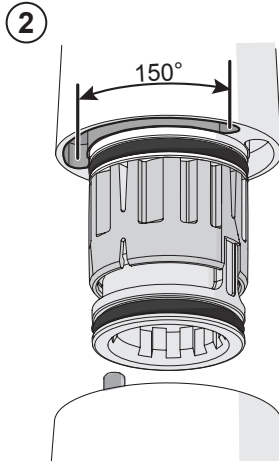
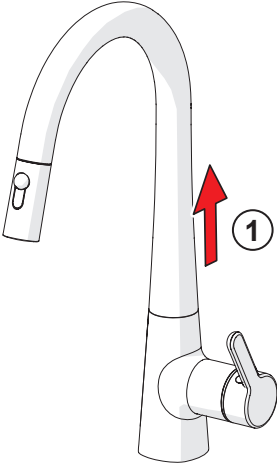
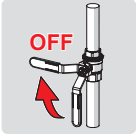


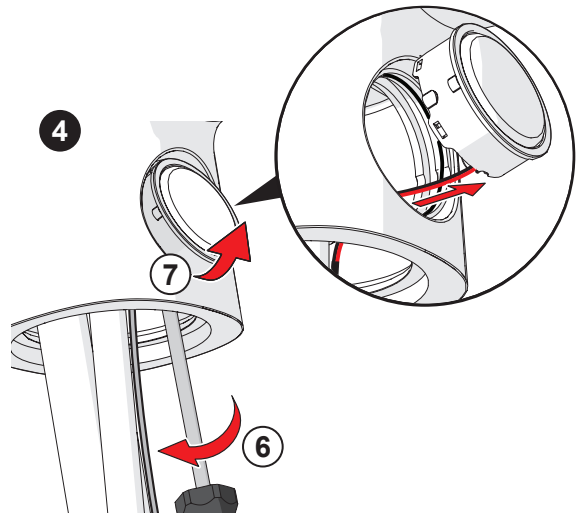
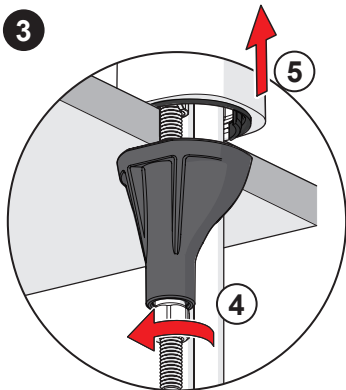
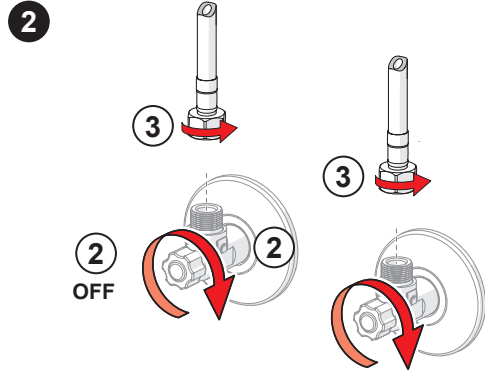
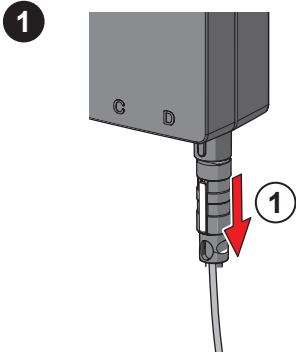
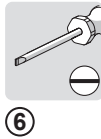
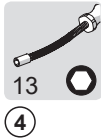
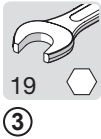
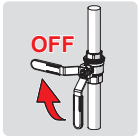


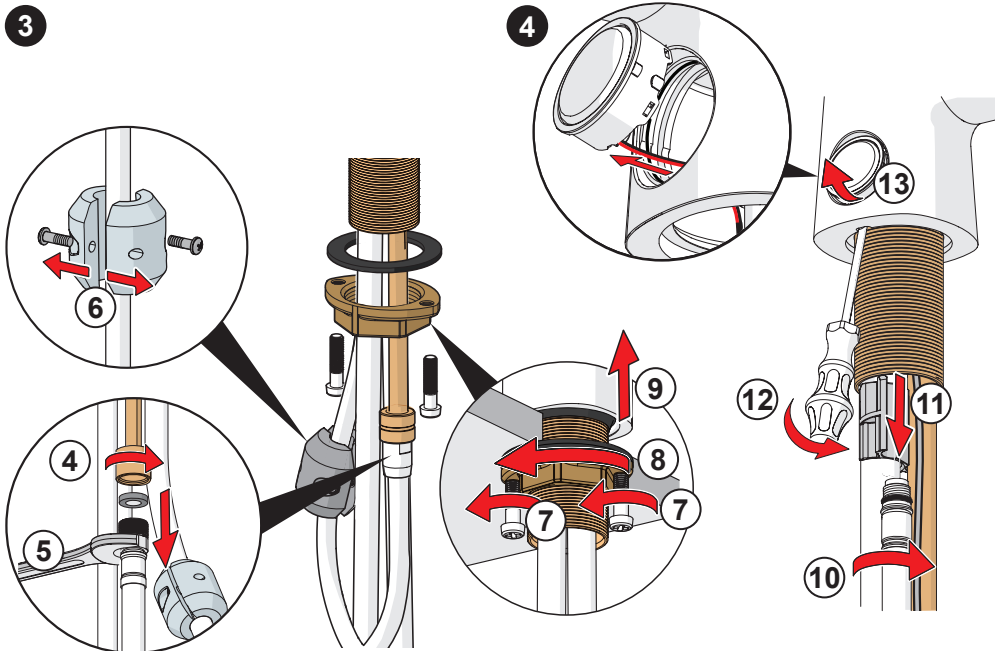
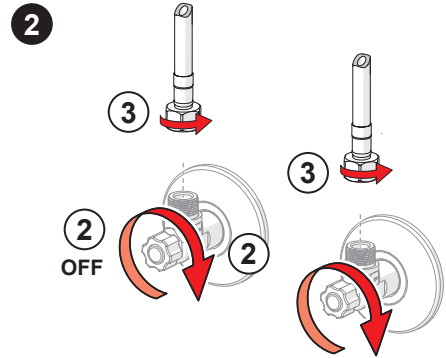
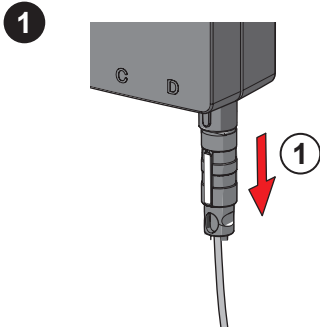
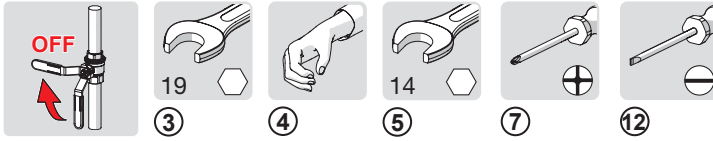


159670/10

159667/10









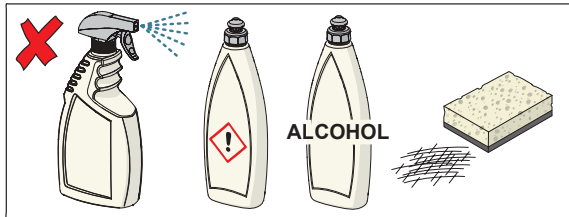
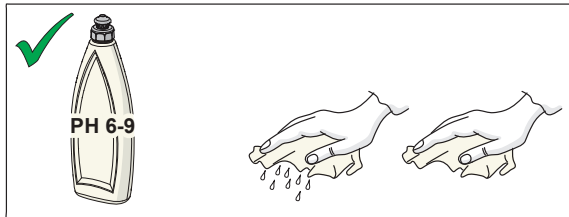
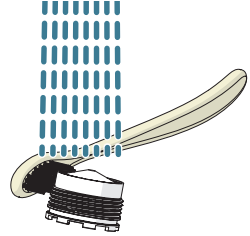
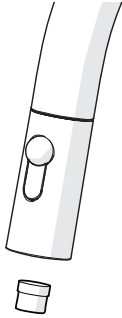
A1



B1



2



cleaning.oras.com

Oras Group is a powerful European provider of sanitary fittings: the market leader in the Nordics and a leading company in Continental Europe. The company's mission is to make the use of water easy and sustainable and its vision is to become the European leader of advanced sanitary fittings. Oras Group has two strong brands: Oras and Hansa.

The Group's head office is located in Rauma, Finland, and the Group has three manufacturing sites: Kralovice (Czech Republic), Olesno (Poland) and Rauma (Finland). Oras Group employs approximately 1,200 people in twenty countries. Oras Group is owned by Oras Invest, a family company and an industrial owner.

ORAS Ltd
Isometsäntie 2, P.O. Box 40
FI-26101 Rauma
Tel. +358 2 83 161
Fax +358 2 831 6300
info.finland@oras.com
www.oras.com



943282-03-21